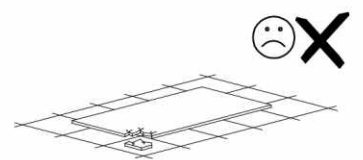
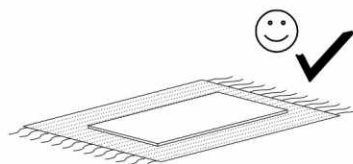
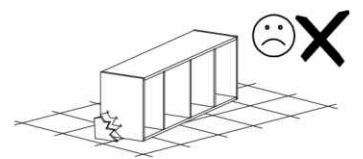
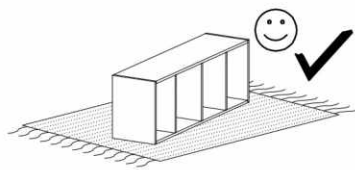
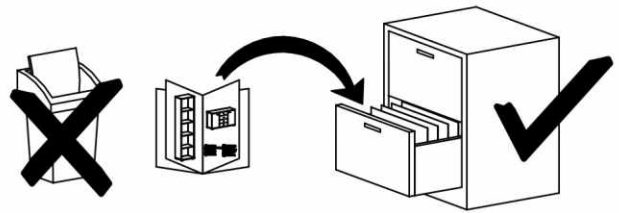
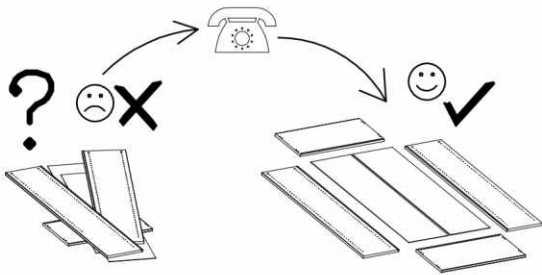
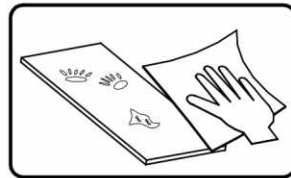
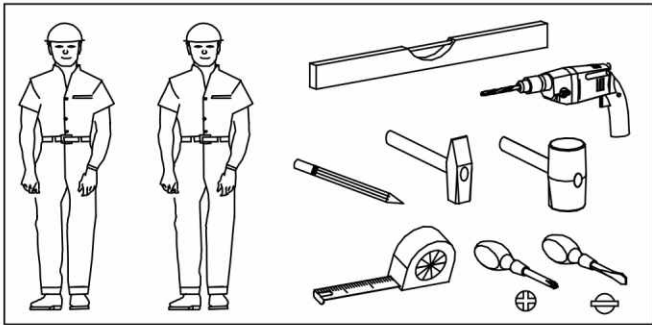
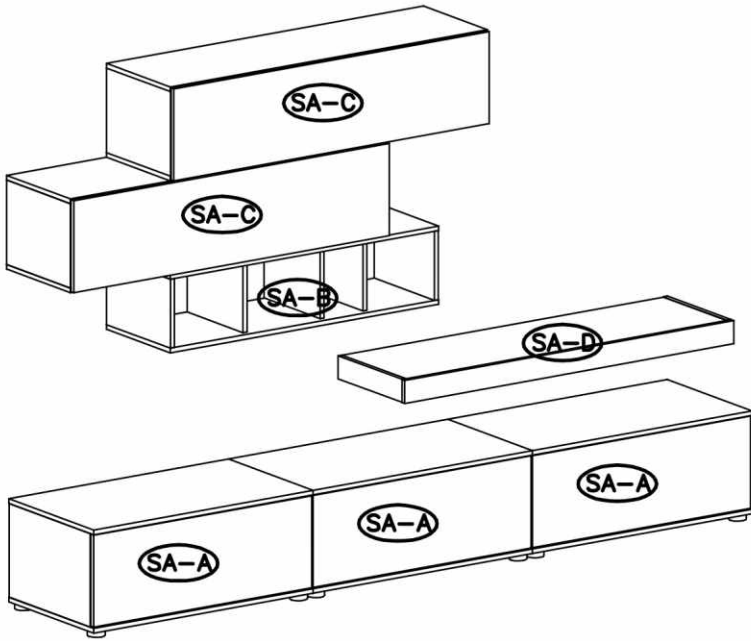
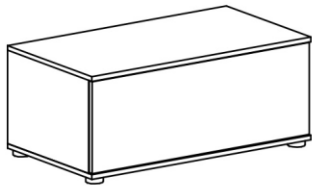


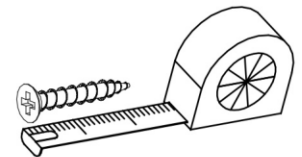
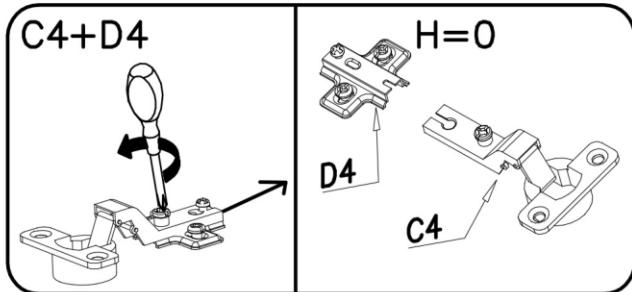
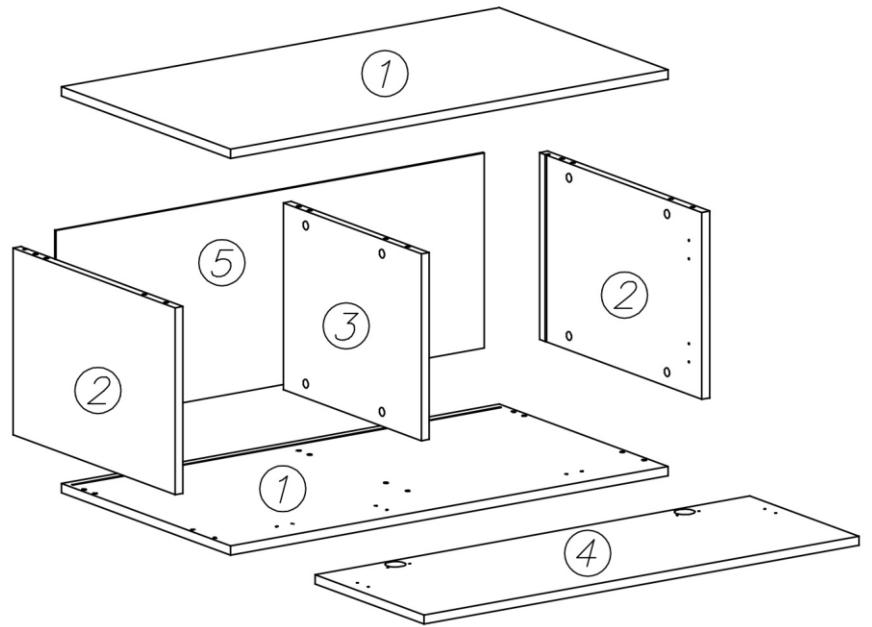
KORFU



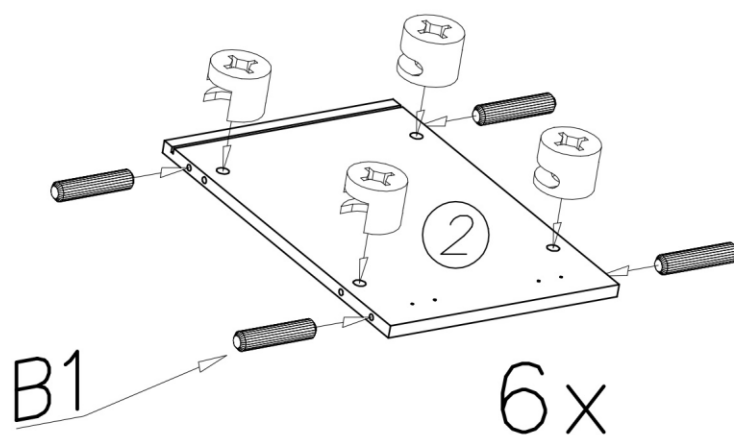
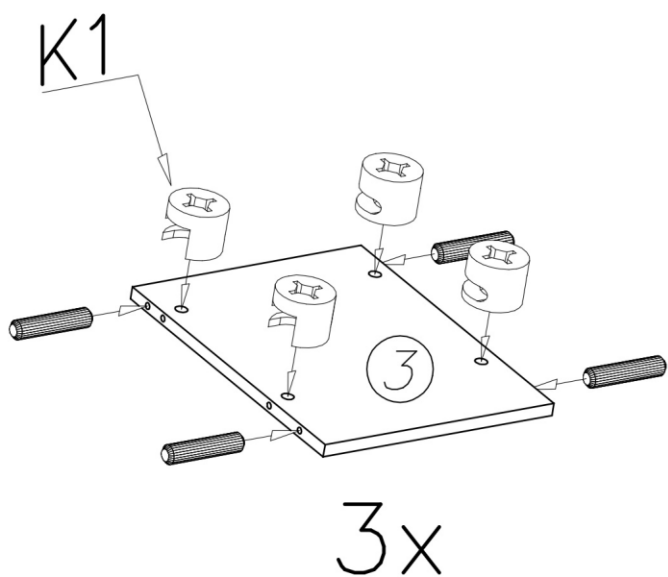
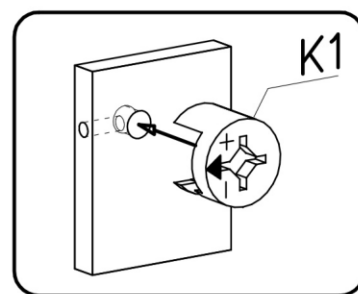
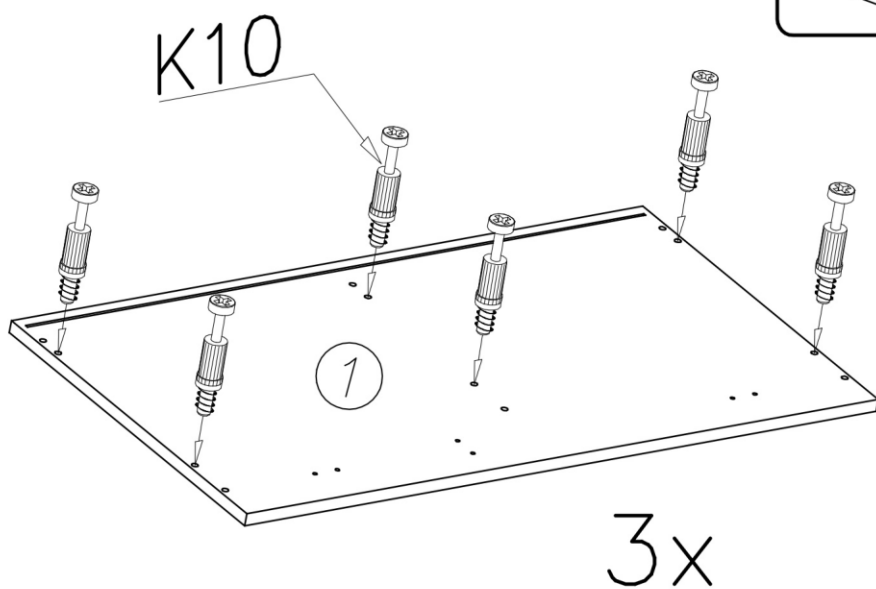
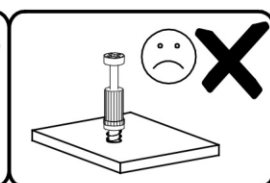
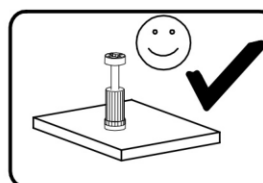
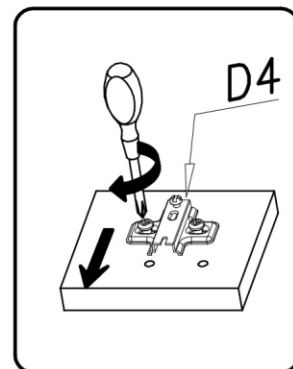
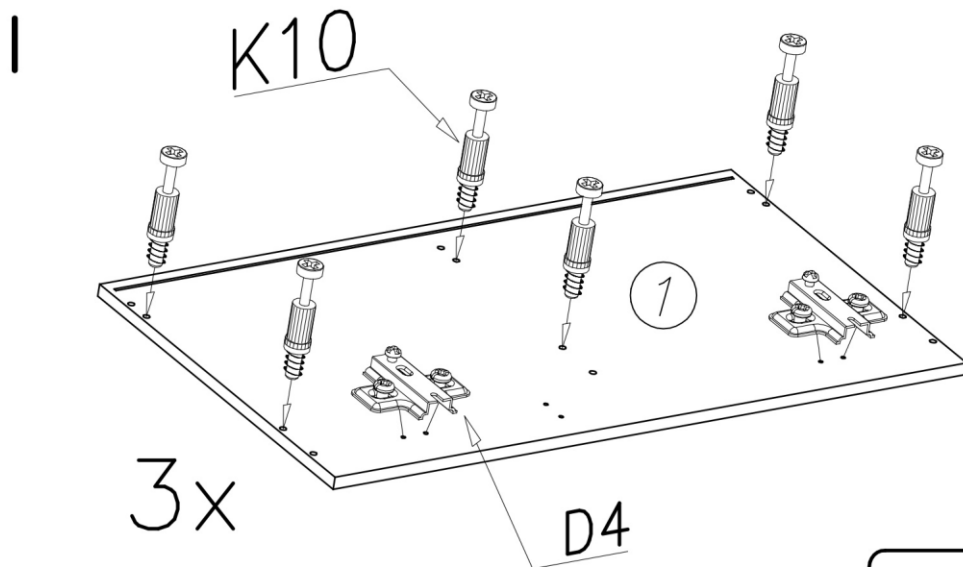


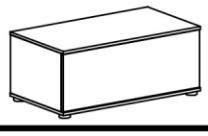
3x

nr	L[mm]	B[mm]	T[mm]		
1	900	496	16	6	1/4
2	326	476	16	6	2/4
3	326	396	16	3	2/4
4	894	320	16	3	2/4
5	879	338	3	3	1/4



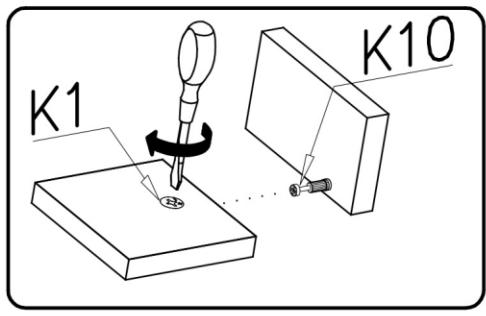
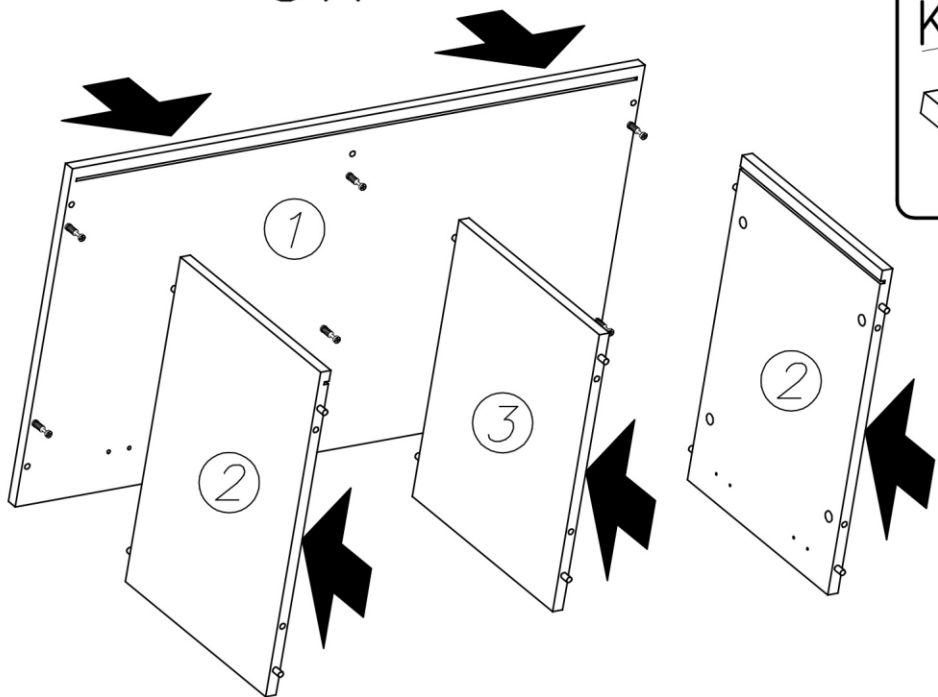
I4 ø5 x6	G32 3,5x16 x24	P20 x15	G12 4x25 x15
K1 ø15x12 x36	I7 ø18 x36	L8 60N x6	C4+D4 ø35 H=0 x6
K10 x36	I1 x18		
B1 ø8x35 x36	G34 3,5x16 x21	L11 x3	G50 6x13 x6



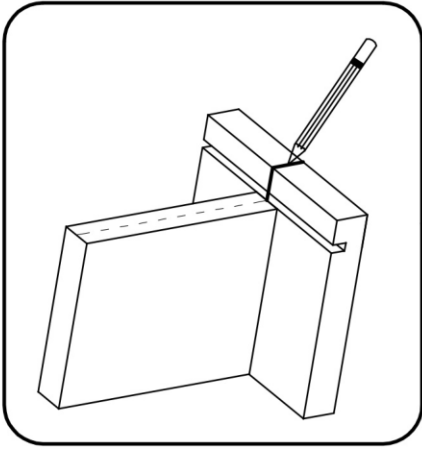


II

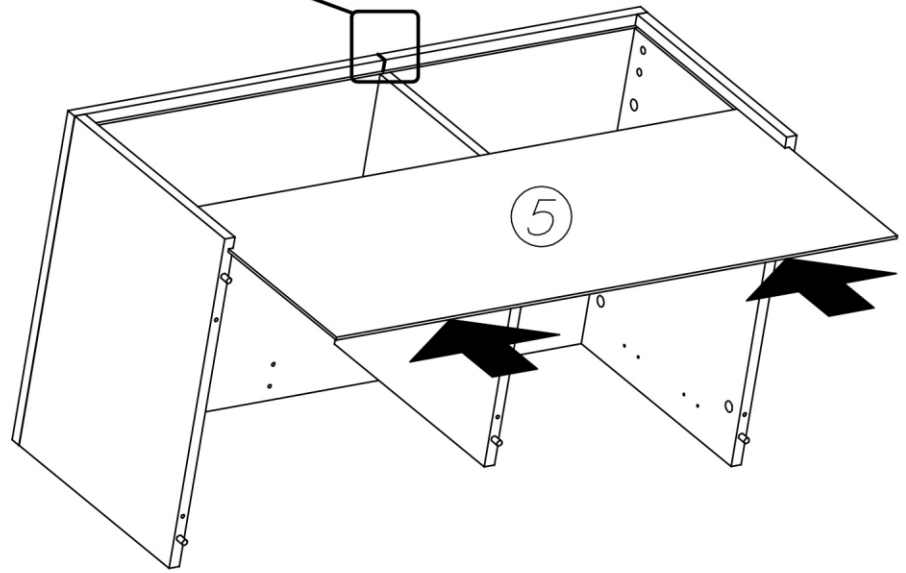
3x



III

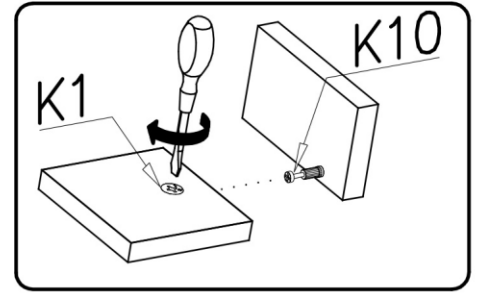
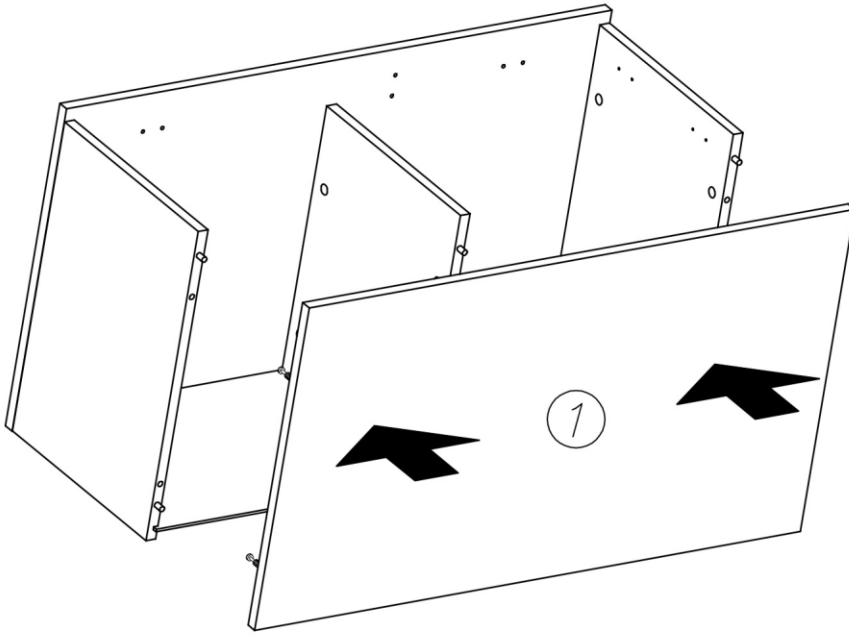


3x



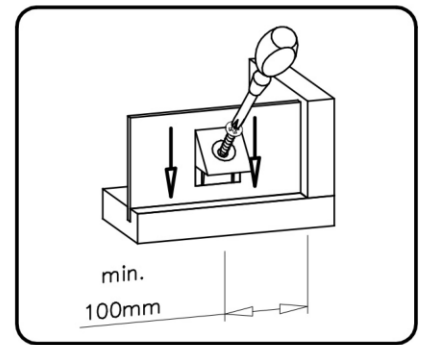
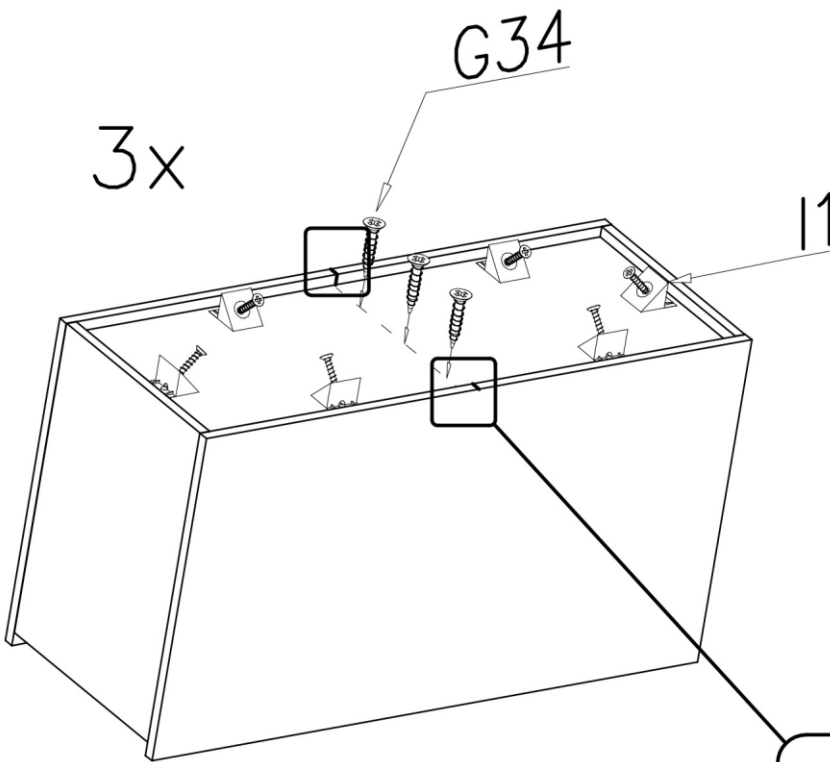


IV 3x

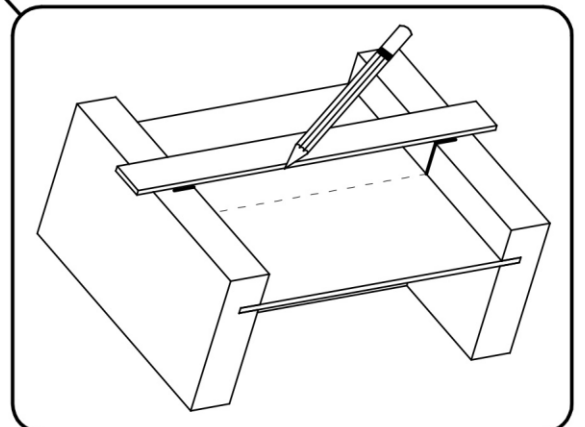
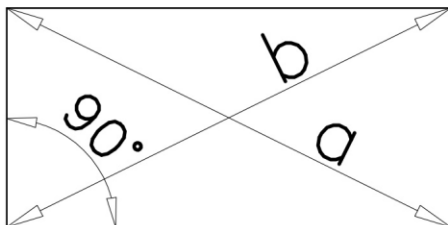


V

3x



$a=b$



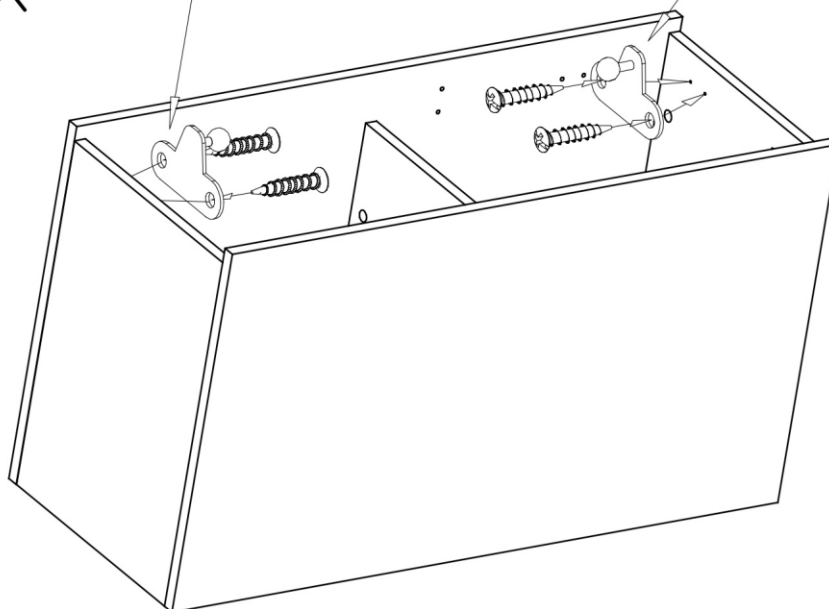


VI

3x

L8+G32

L8+G32

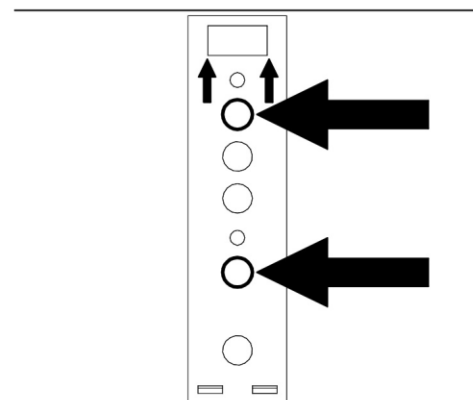
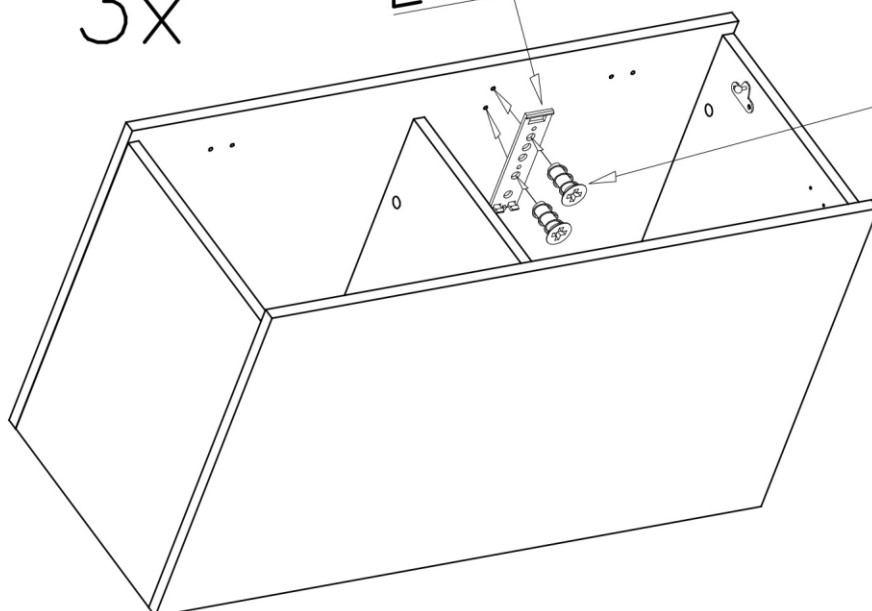


VII

3x

L11

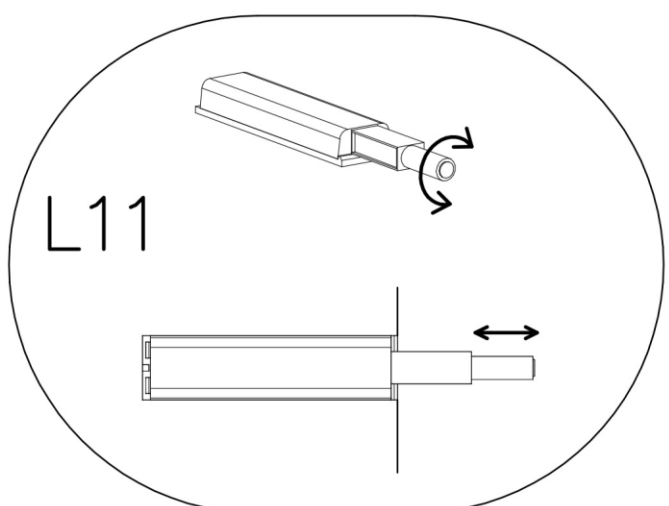
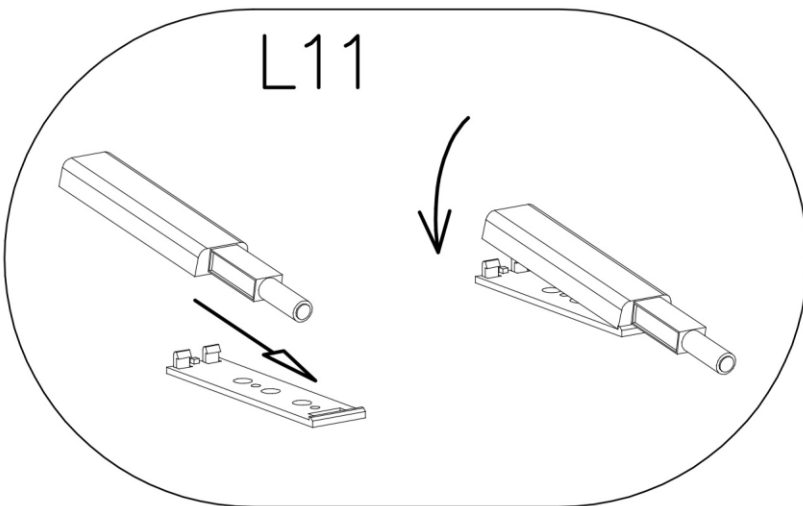
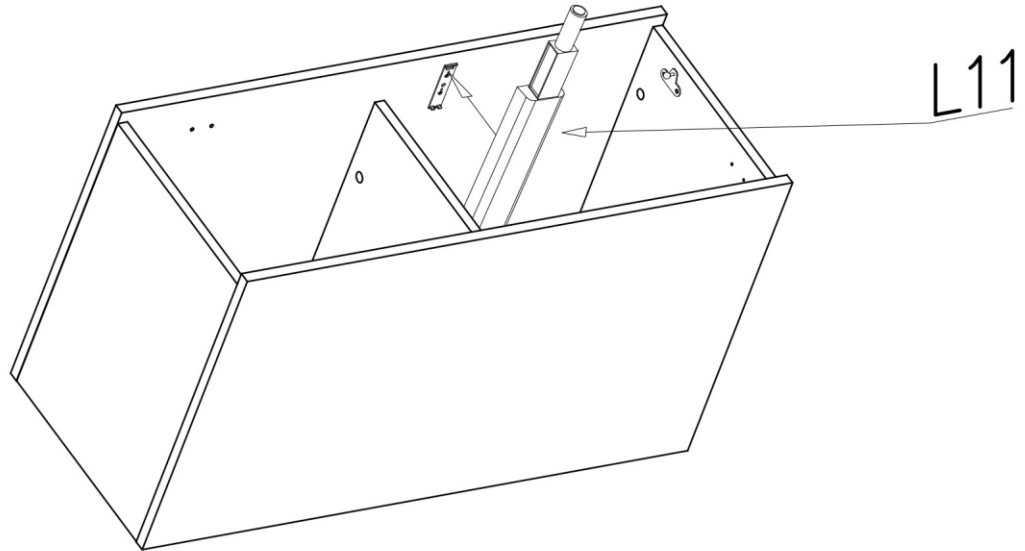
G50





VIII

3x

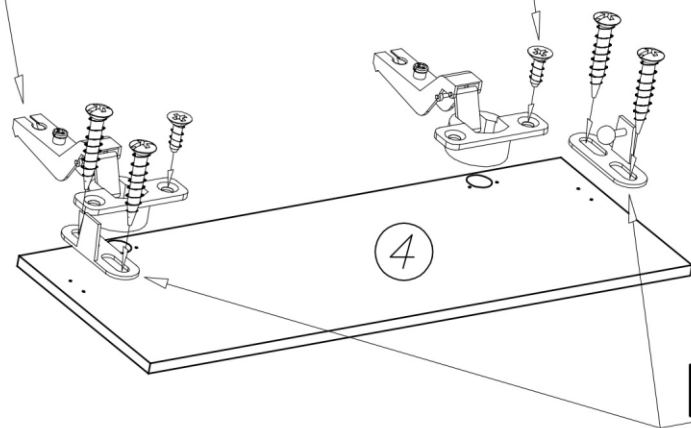


IX

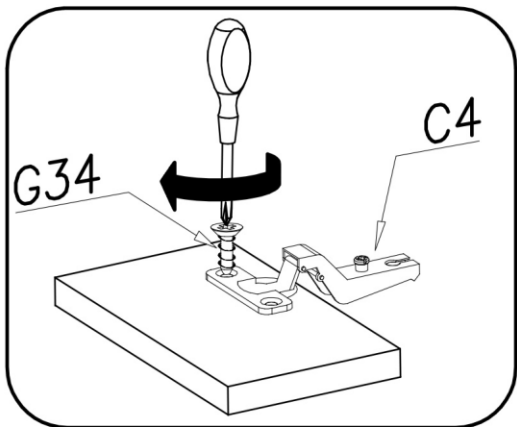
C4

3x

G34



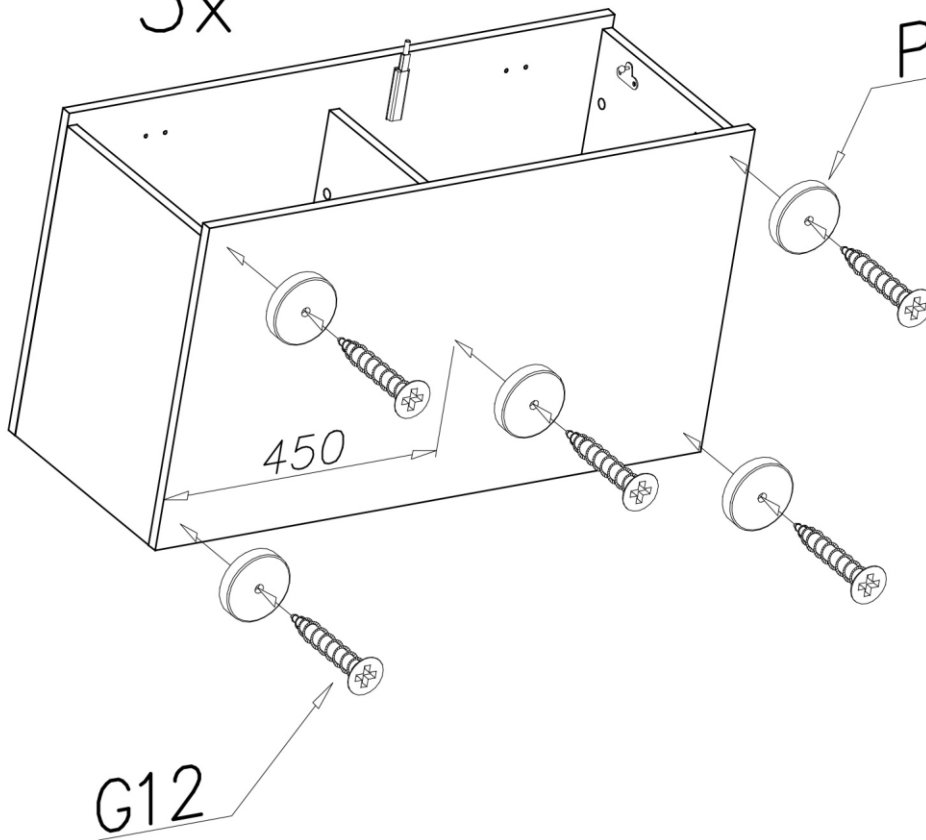
L8+G32





X

3x



P20

450

ca. 35mm

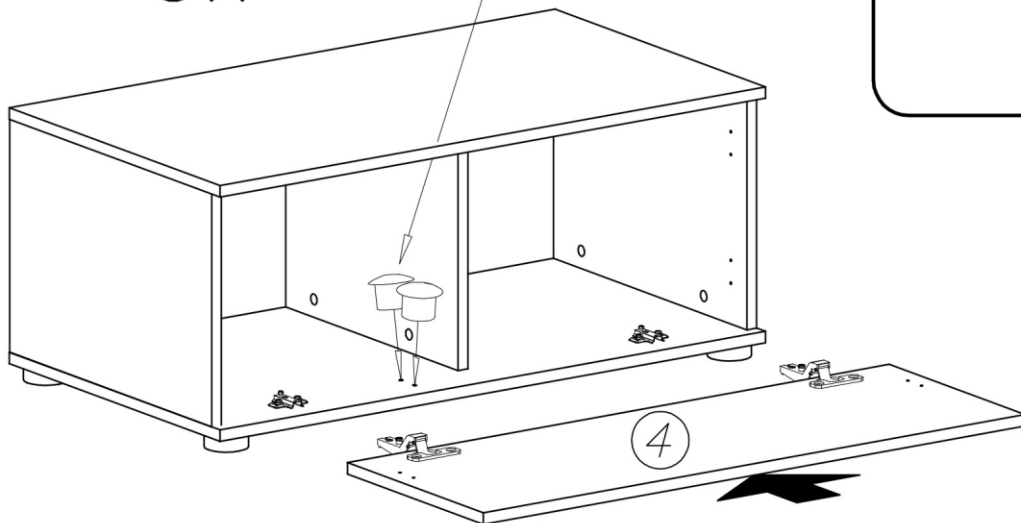
ca. 35mm

G12

XI

3x

14

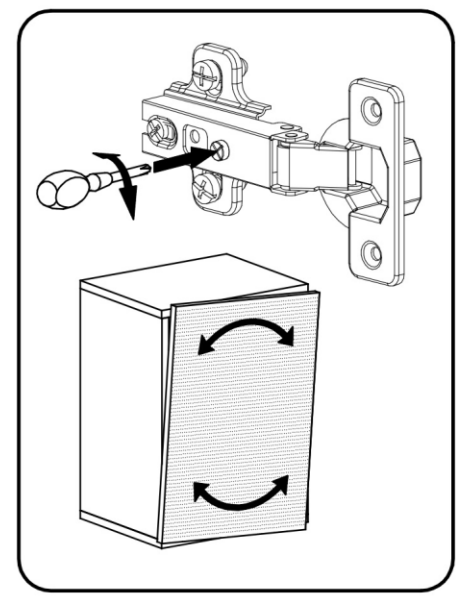
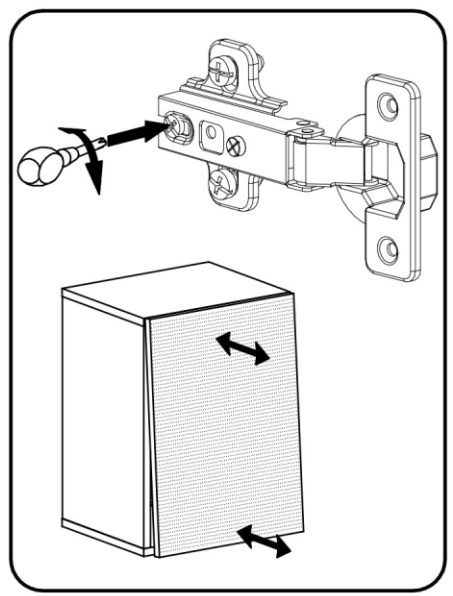
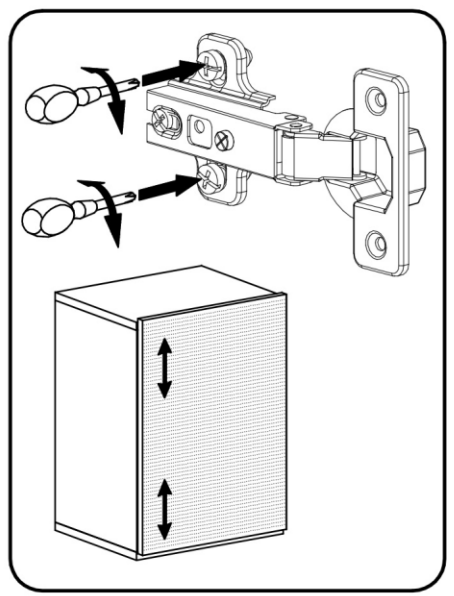
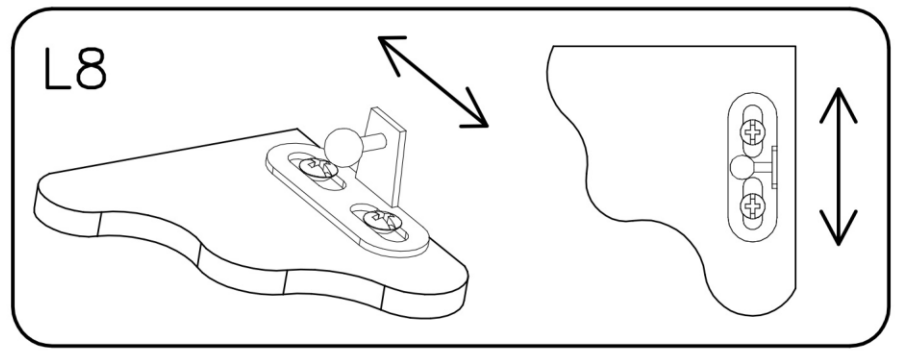
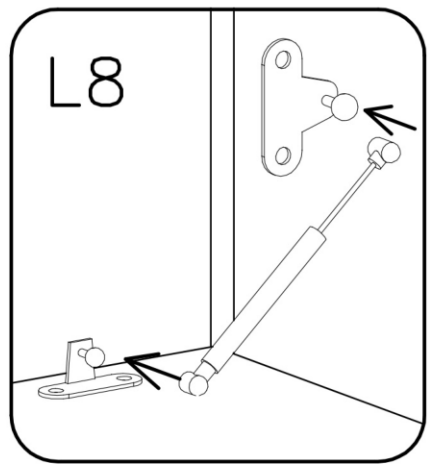
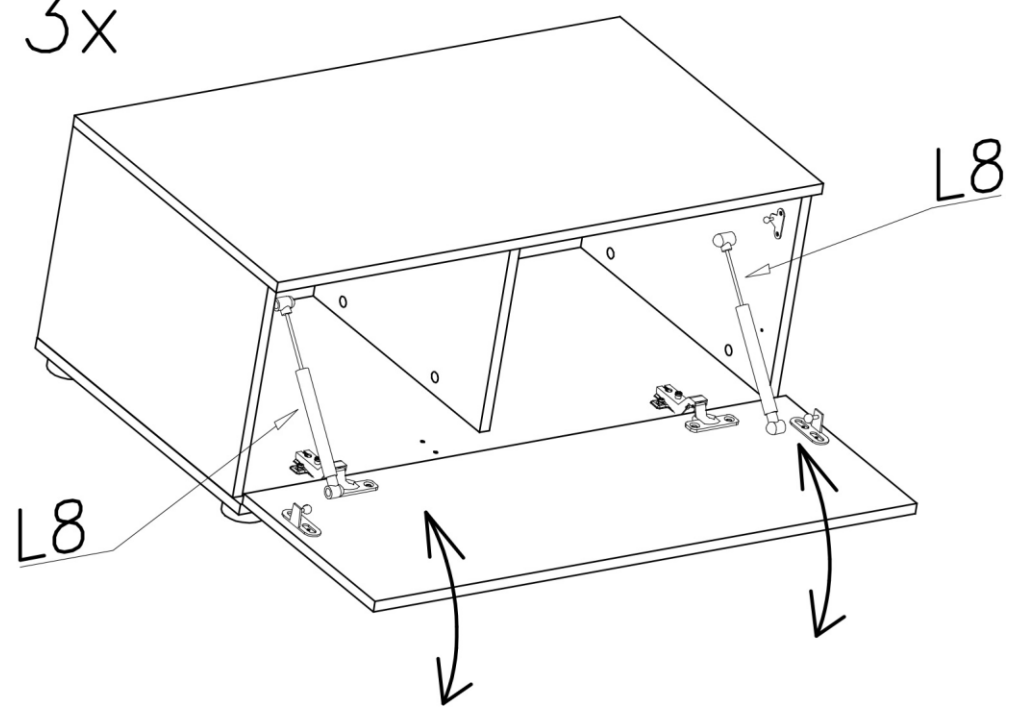


4



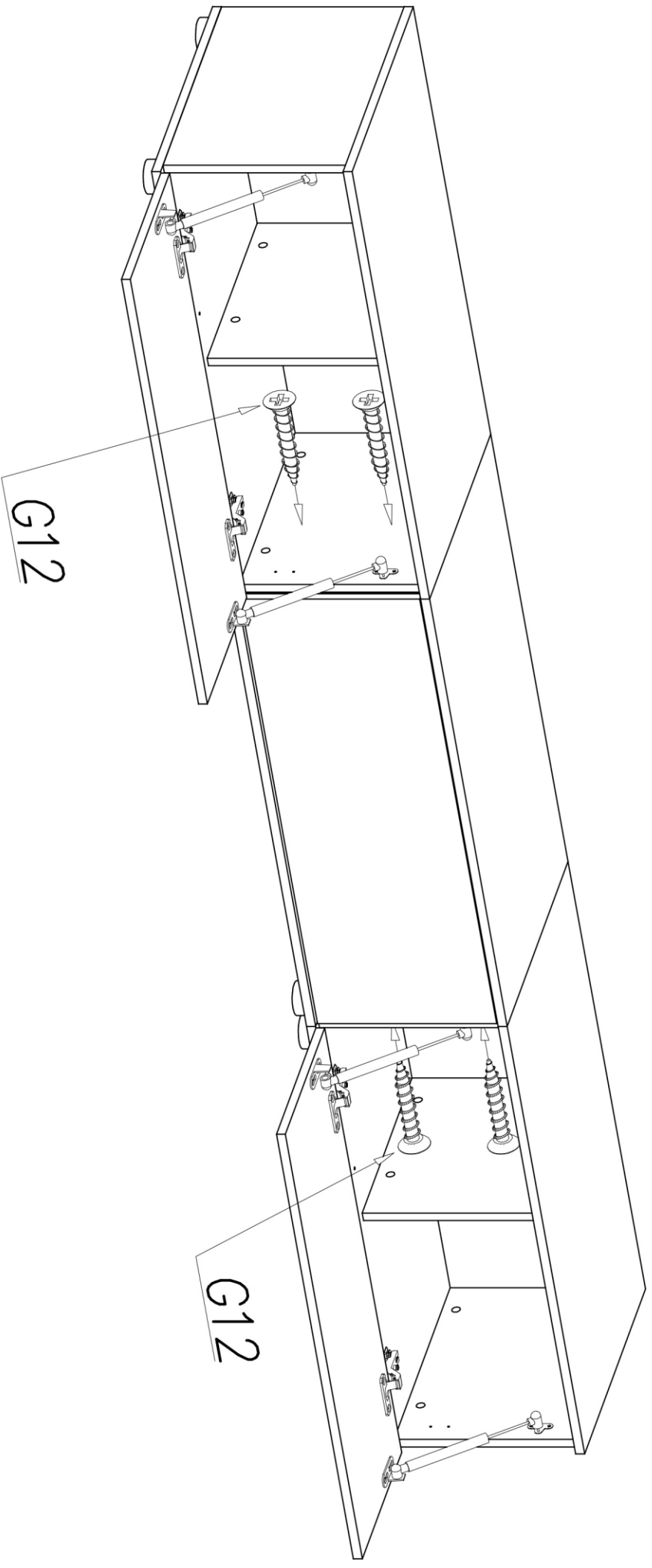


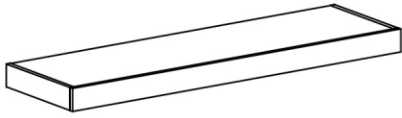
XII 3x



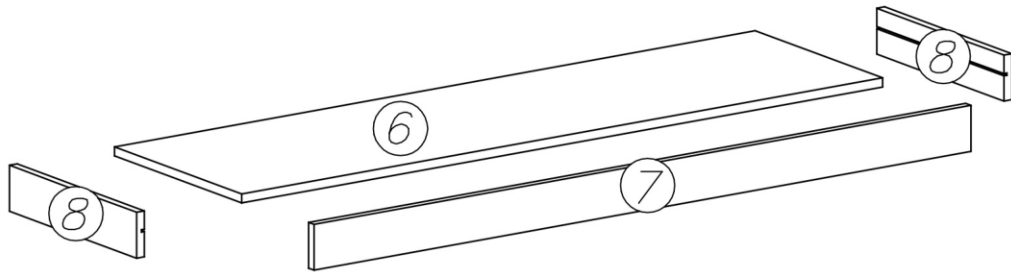


XVIII

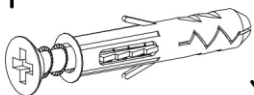




nr	L[mm]	B[mm]	T[mm]		
6	1318	376	16	1	2/4
7	1351	85	16	1	2/4
8	376	85	16	2	4/4



U4



x4

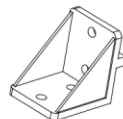
G34



3,5x16

x36

F12

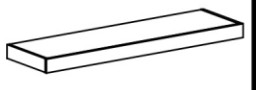


x8

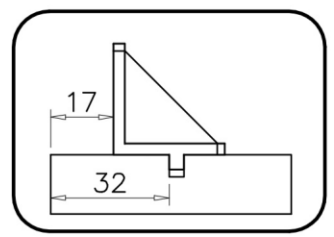
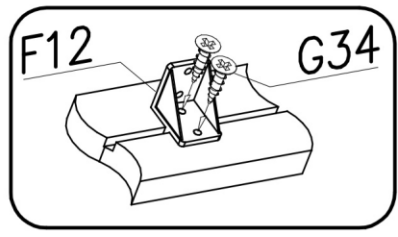
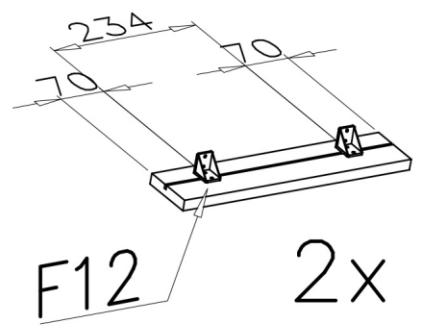
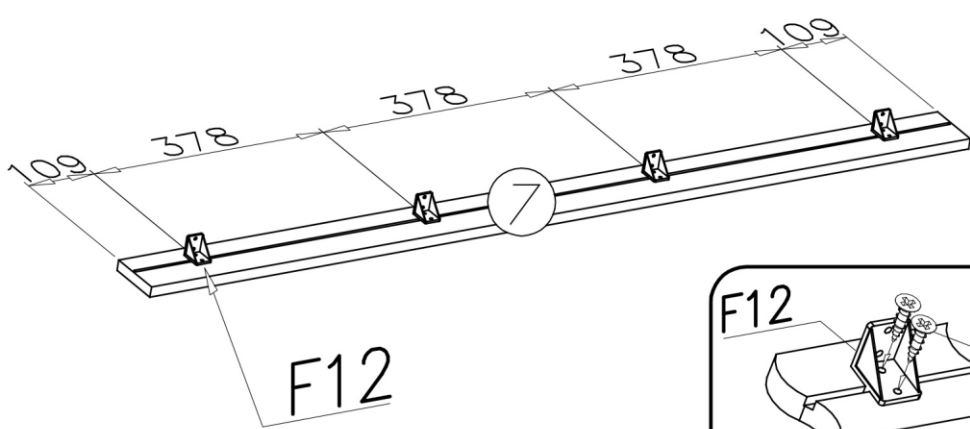
M29



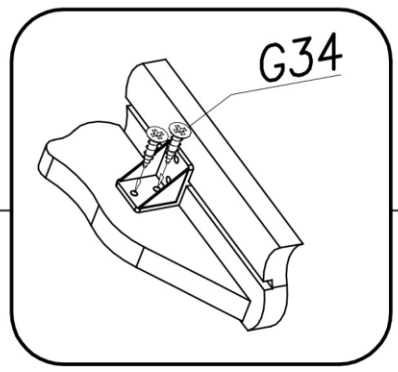
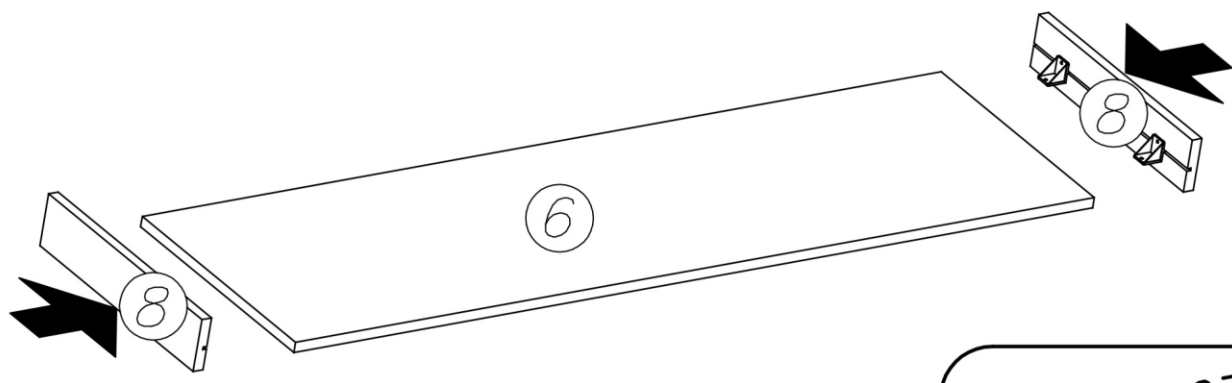
x2



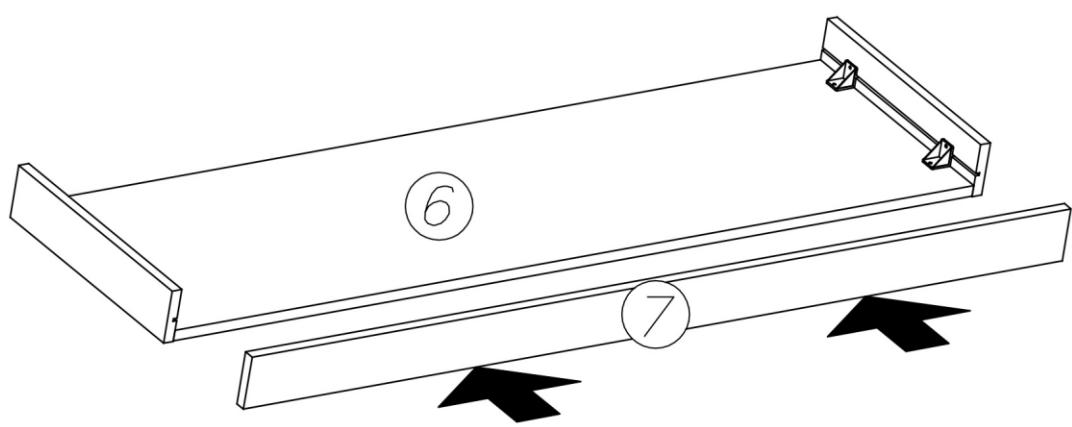
I



II

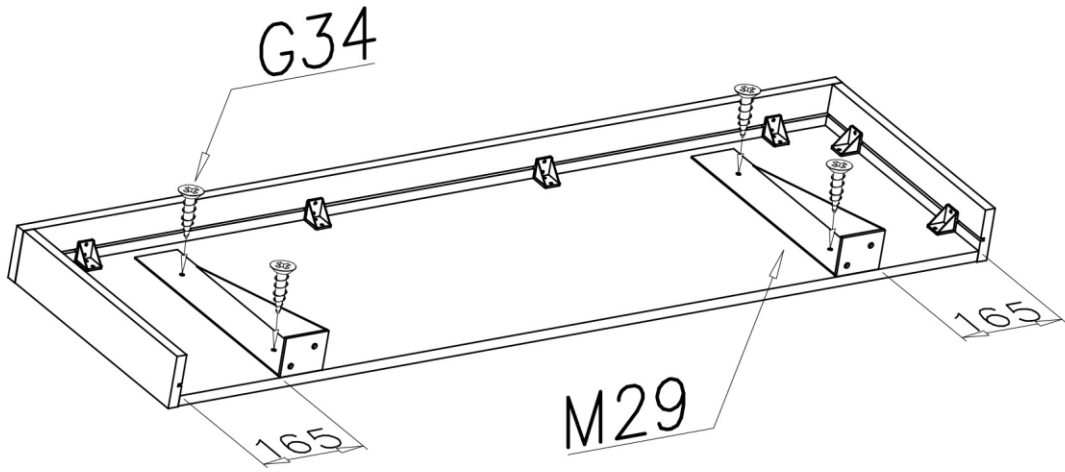


III

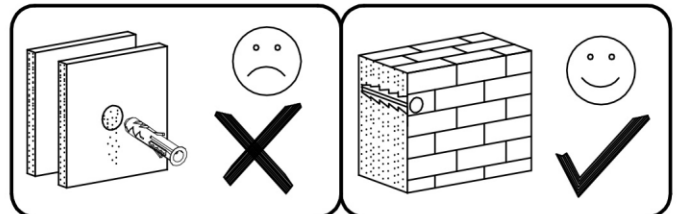
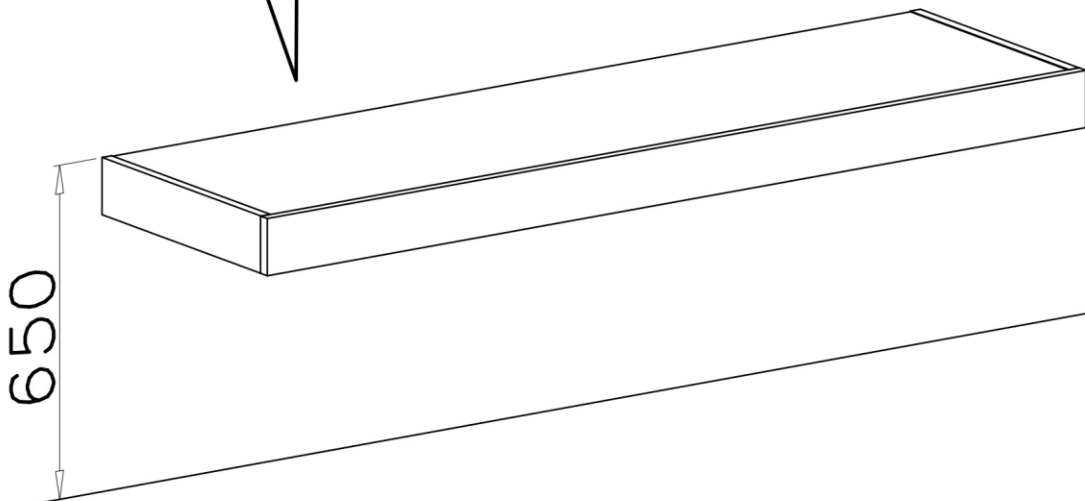
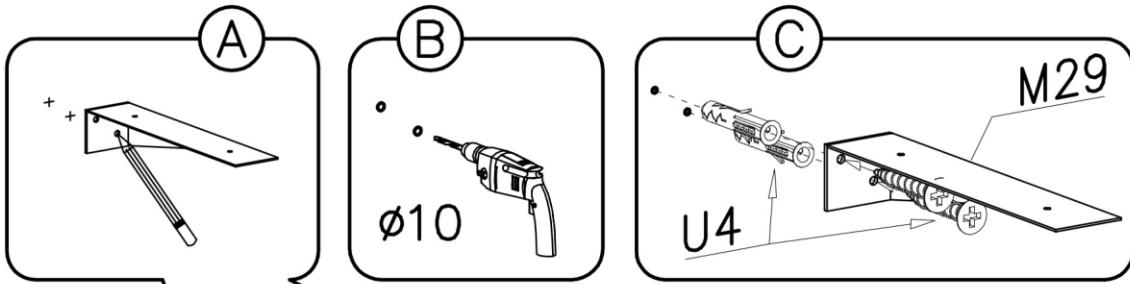


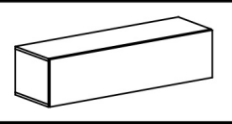


IV



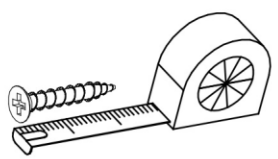
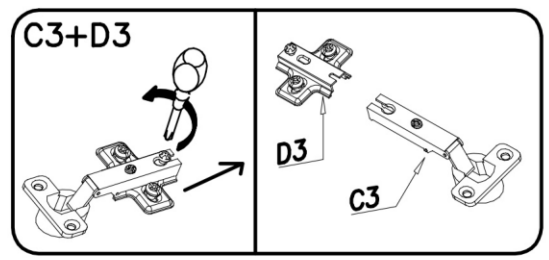
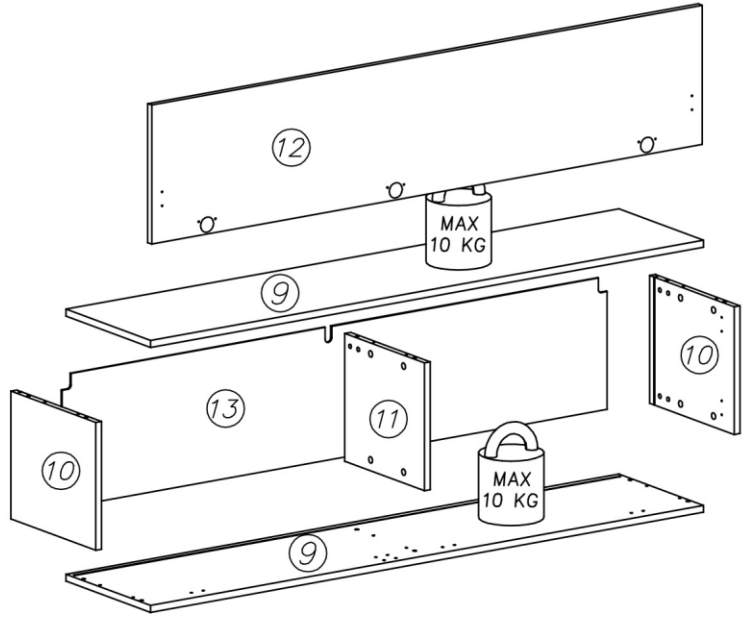
V

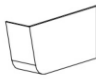




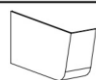
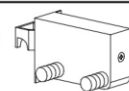
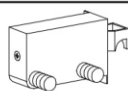
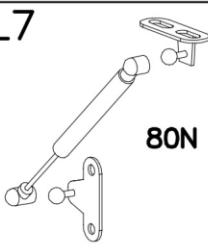
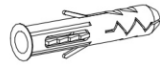
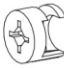
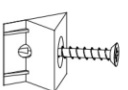
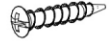
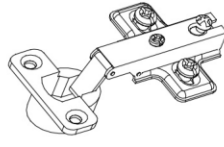

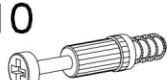

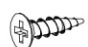
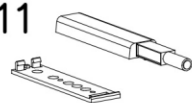




2x

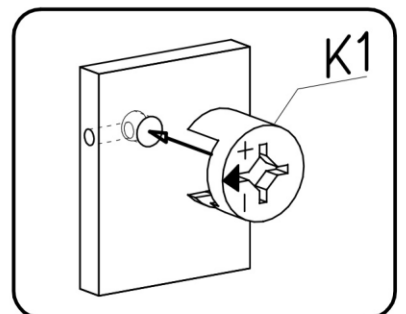
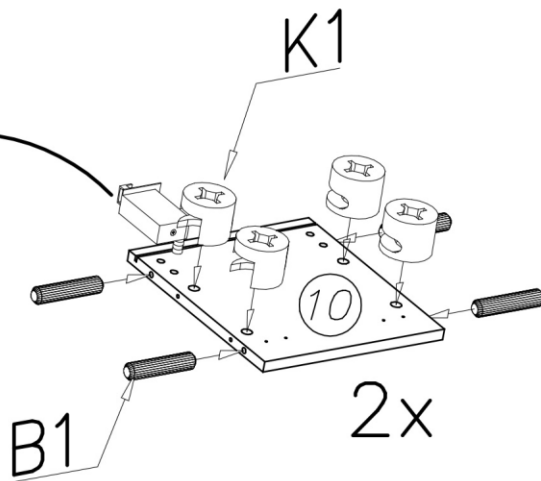
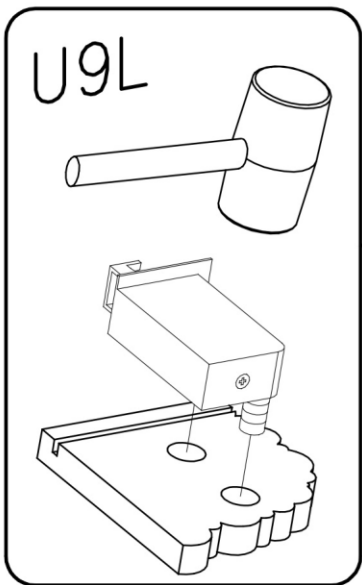
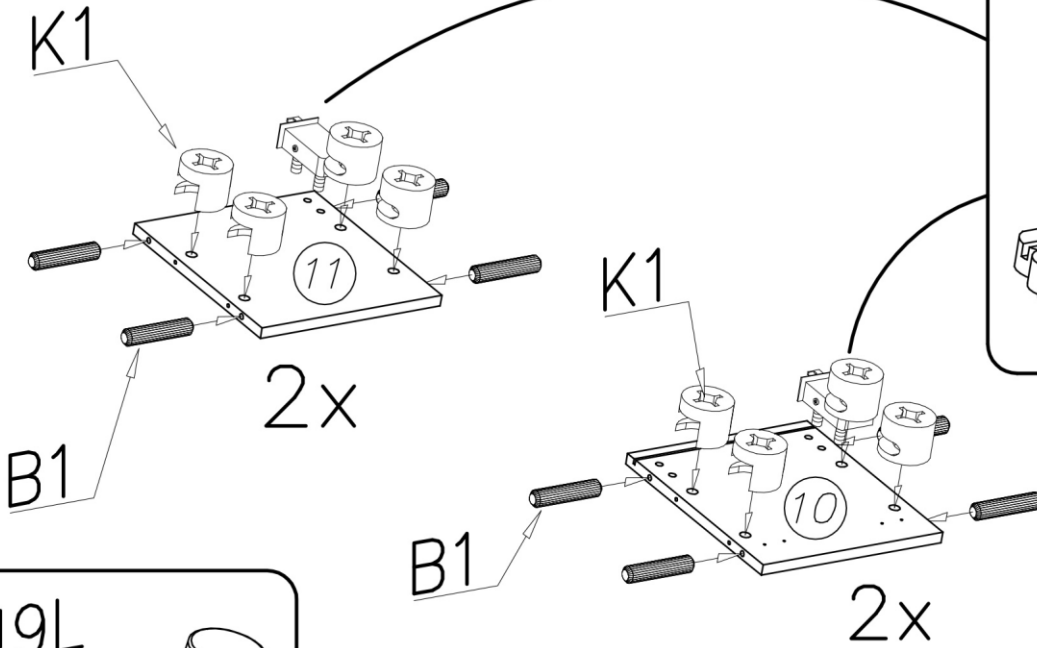
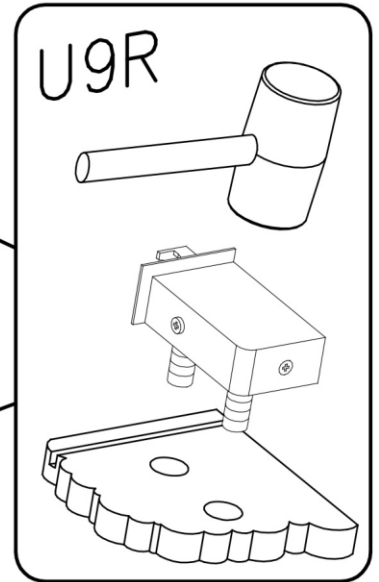
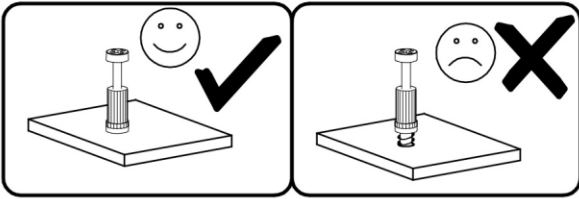
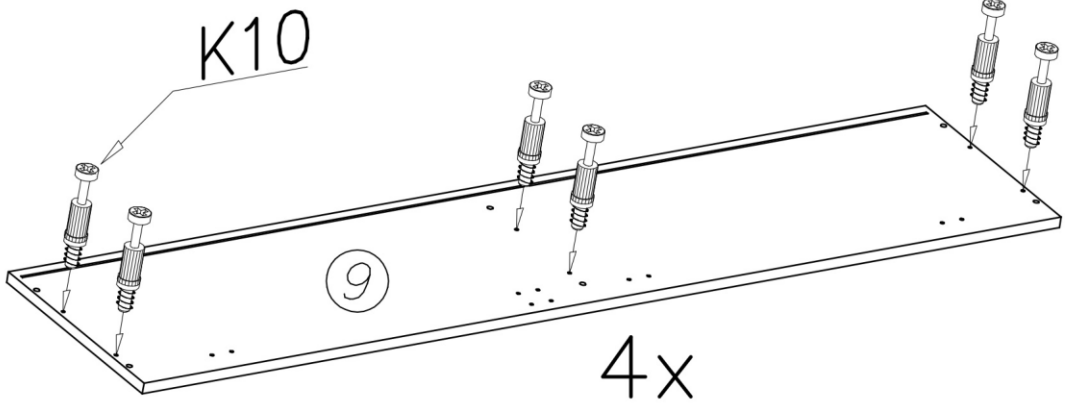
nr	L[mm]	B[mm]	T[mm]		
9	1300	376	16	4	3/4
10	294	376	16	4	4/4
11	294	356	16	2	4/4
12	1294	320	16	2	3/4
13	1279	306	3	2	3/4

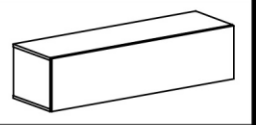


U10L  x2	I7  ø18 x24	I4  ø5 x12	I10  ø10 x8	U7  x6
U10R  x4	U9L  x2	U9R  x4	L7  80N x4	U8  ø10x60 x6
K1  ø15x12 x24	I1  x20	G32  3,5x16 x16	Z35PR  x6	G50  6x13 x8
K10  x24	B1  ø8x35 x24	G34  3,5x16 x20	L11  x4	



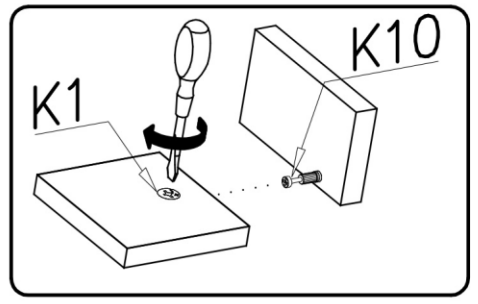
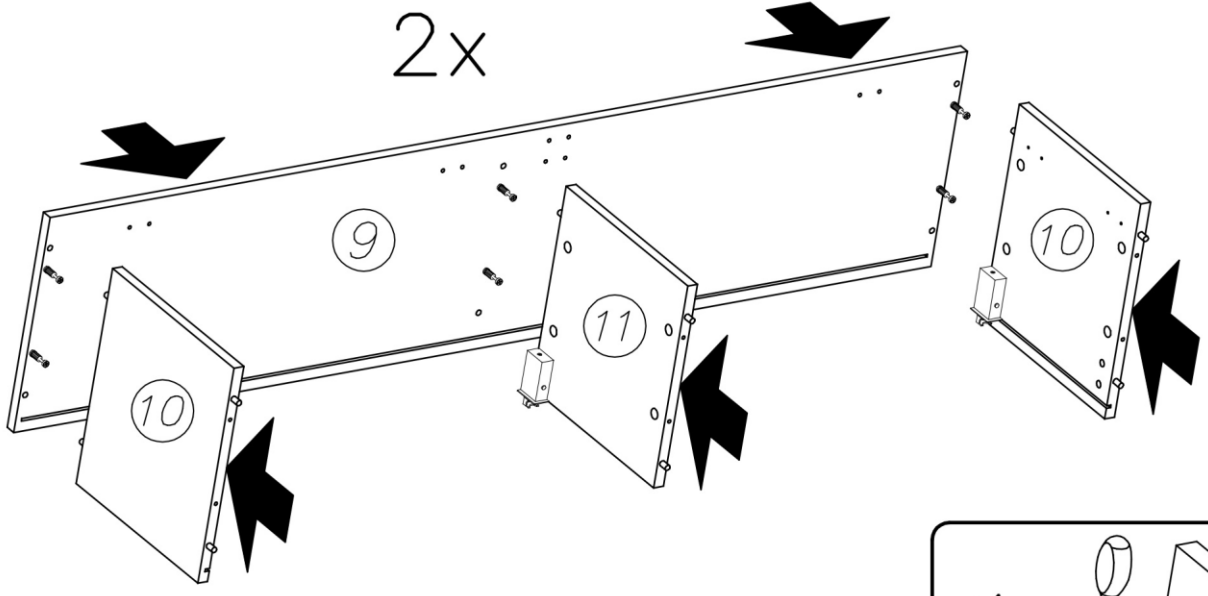
I



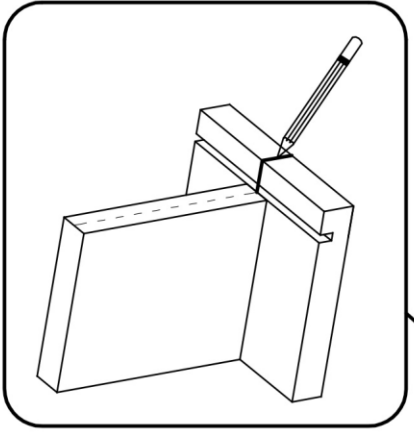


II

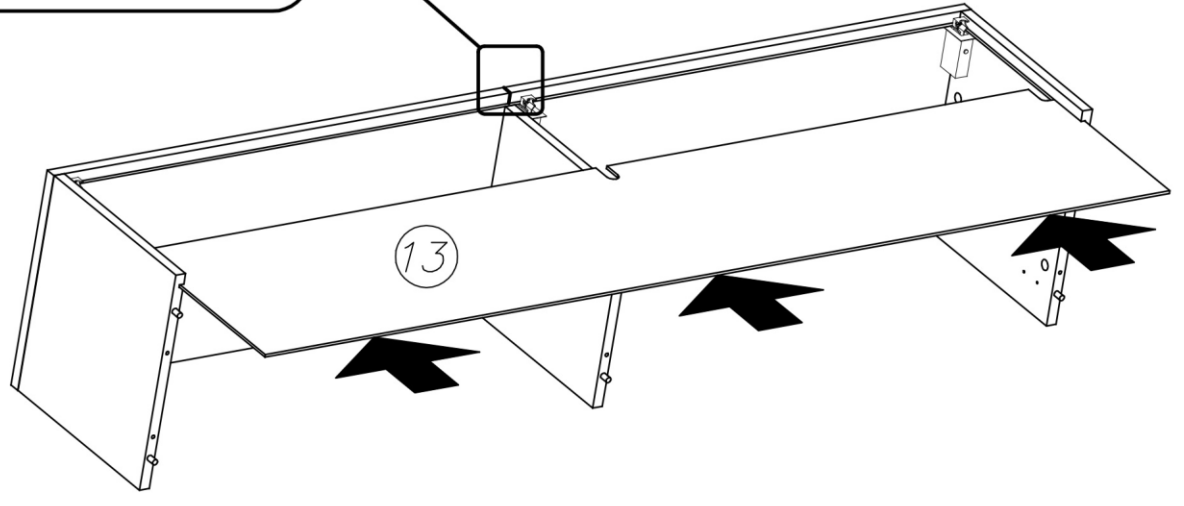
2x

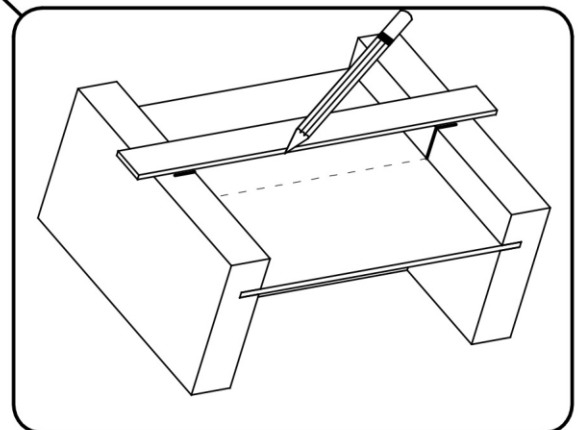
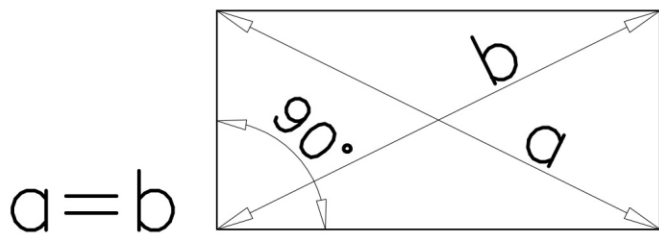
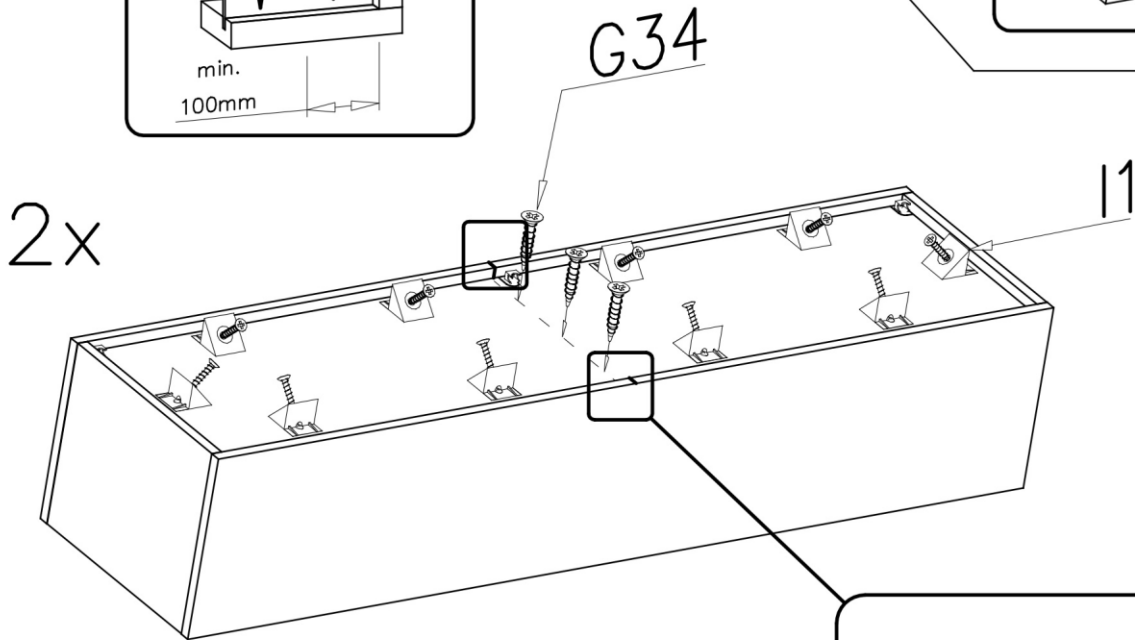
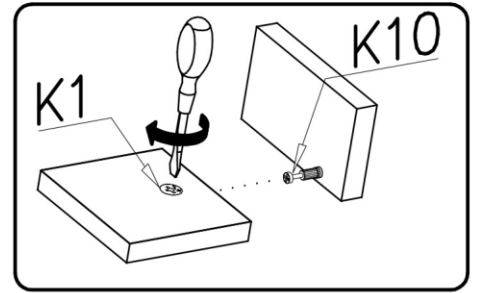
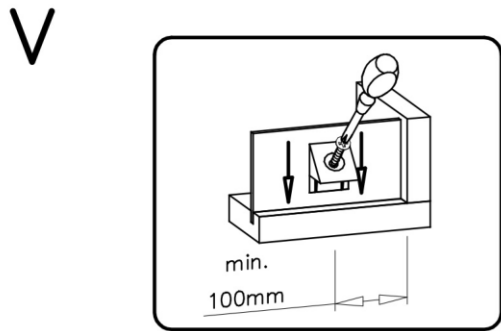
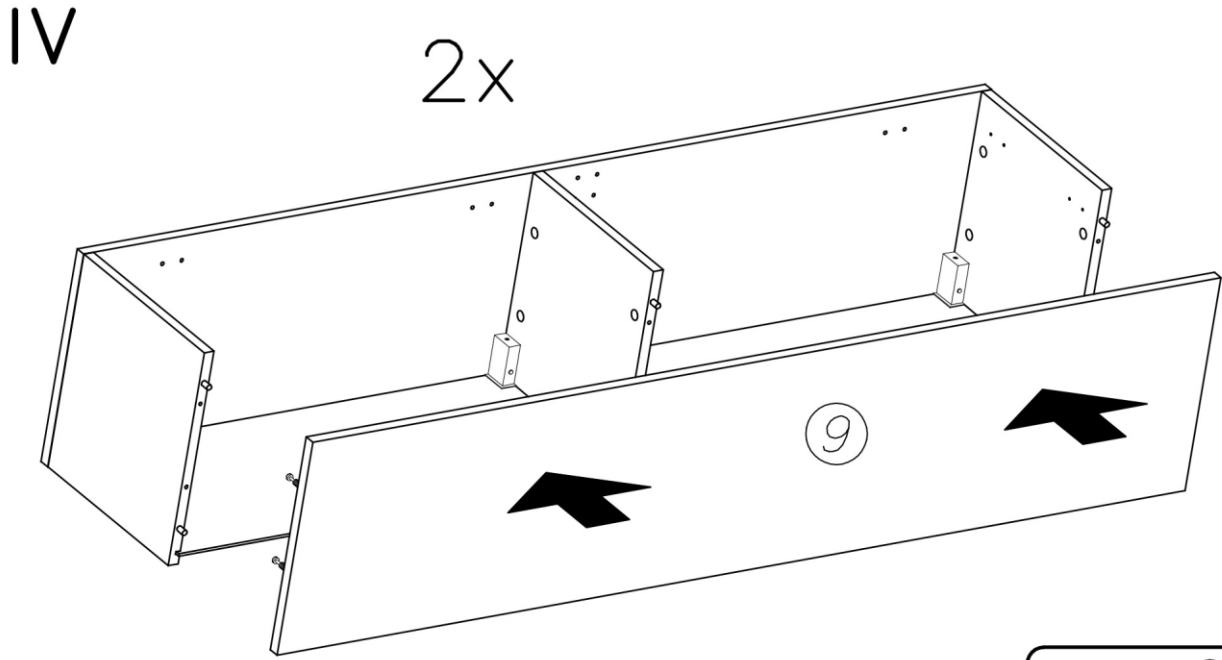


III



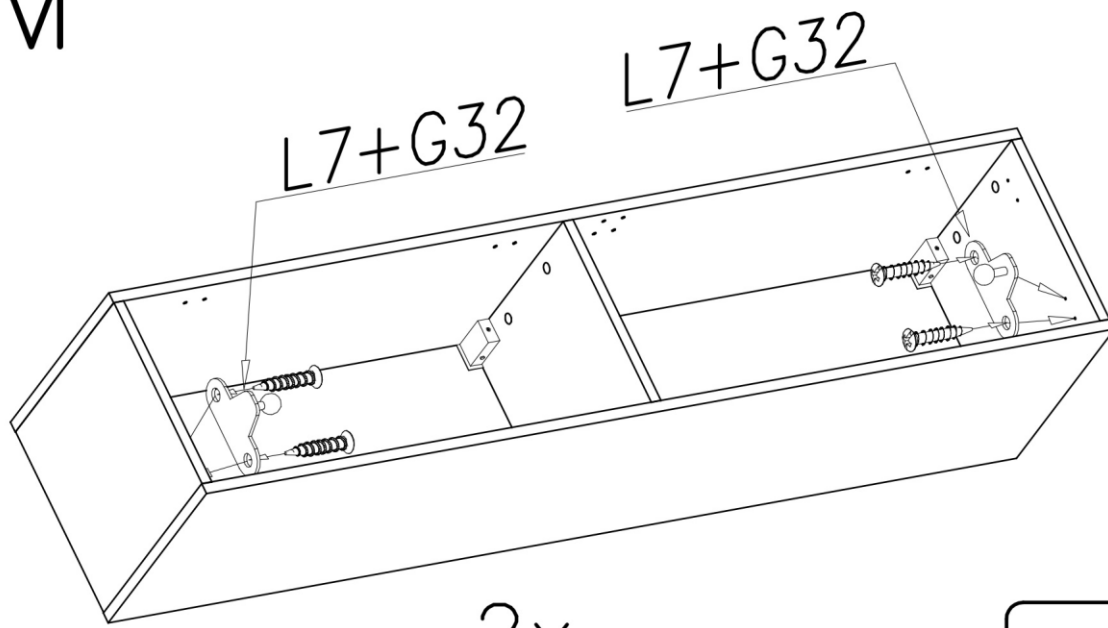
2x



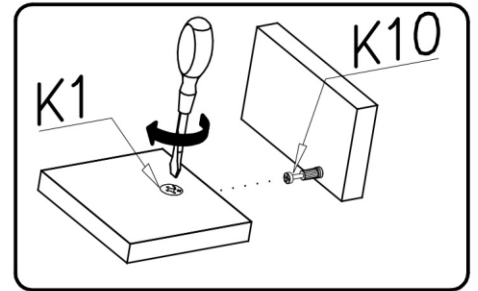




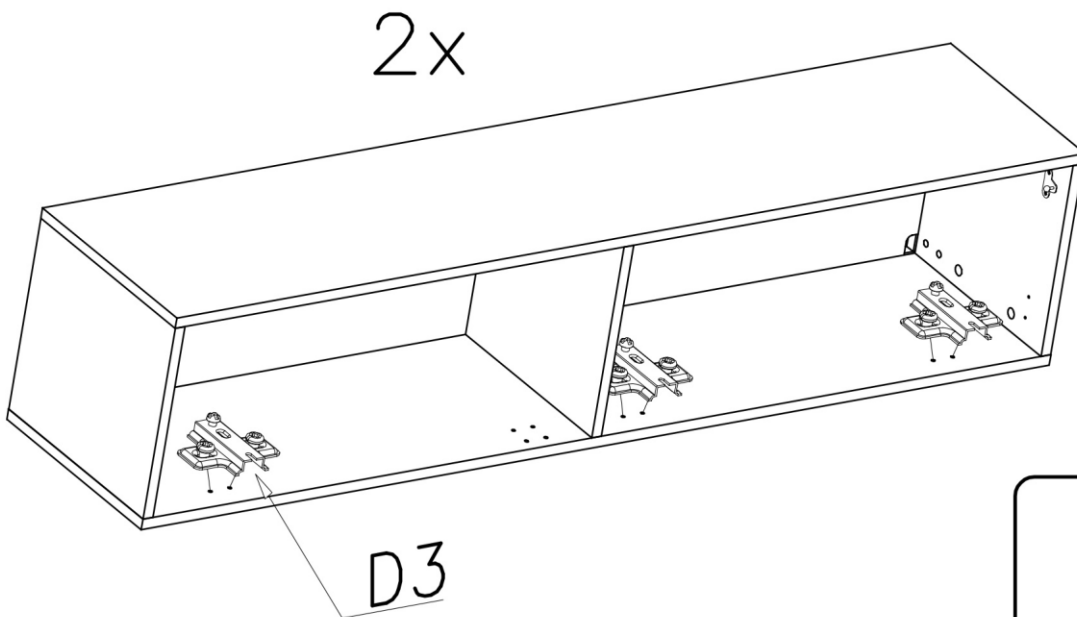
VI



2x

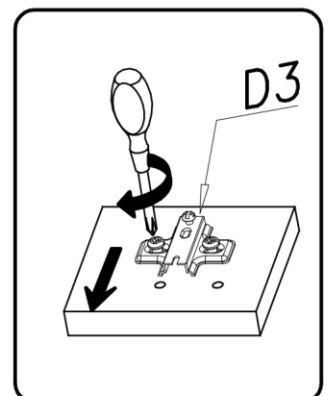


VII



2x

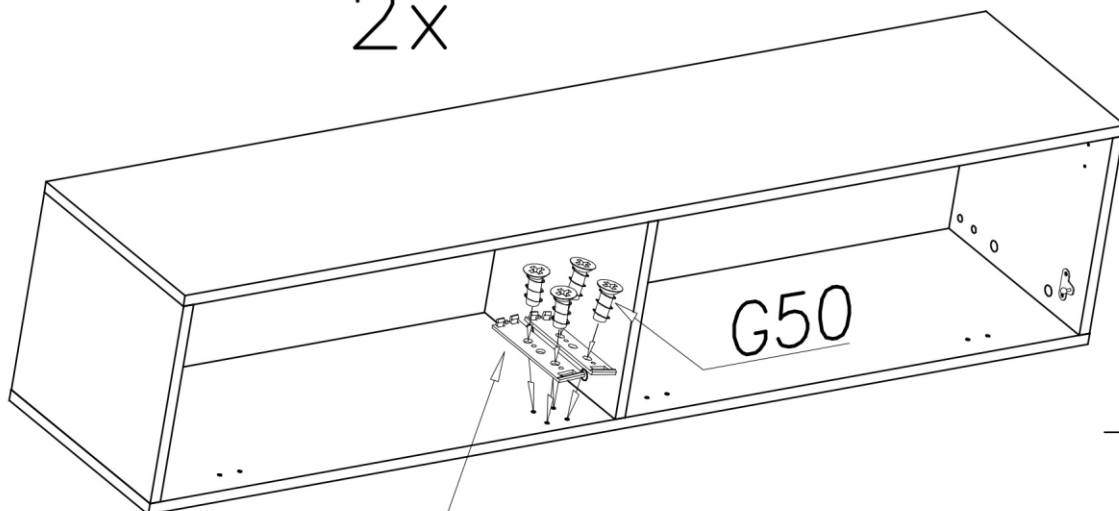
D3





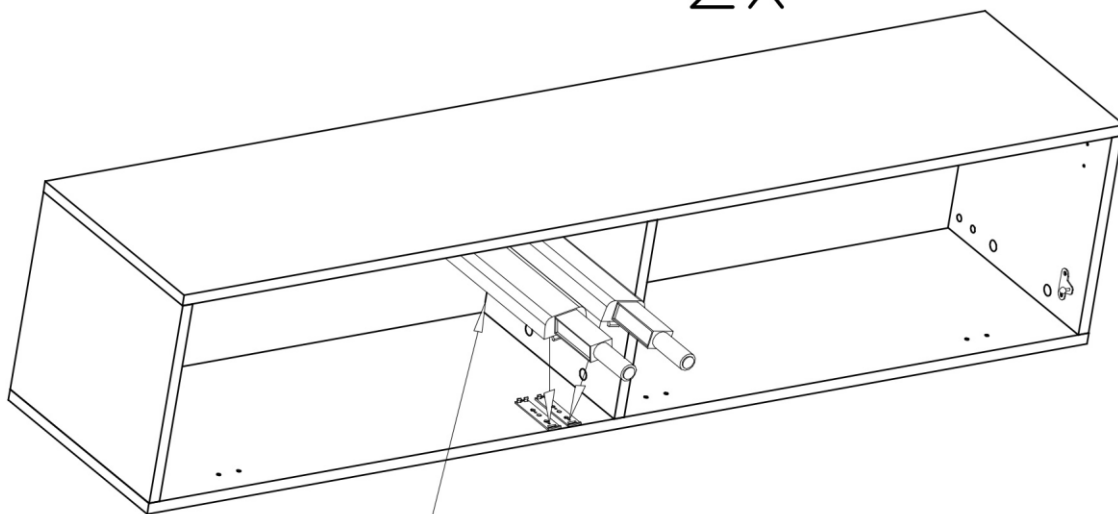
VIII

2x

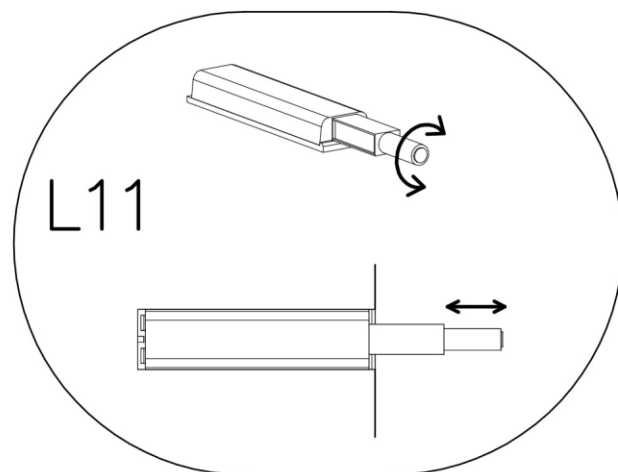
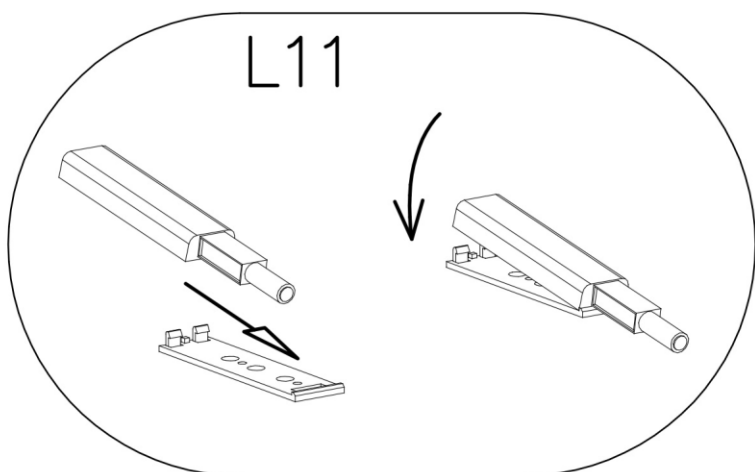
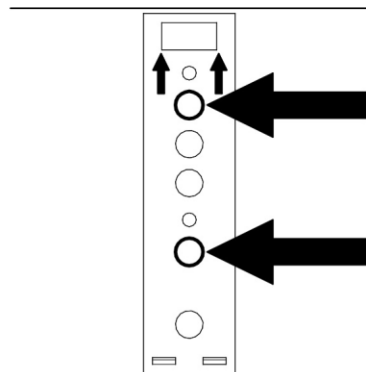


L11

2x

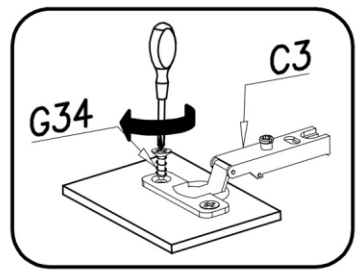
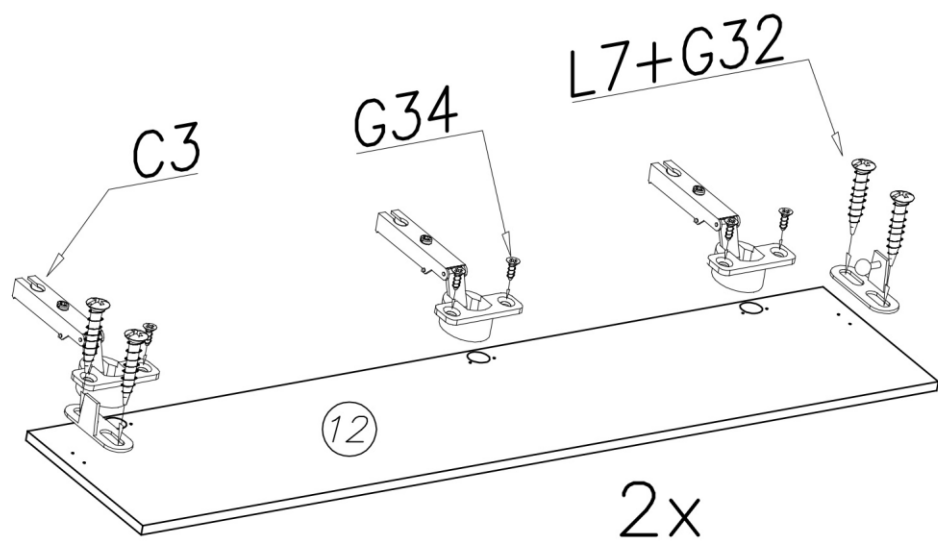


L11

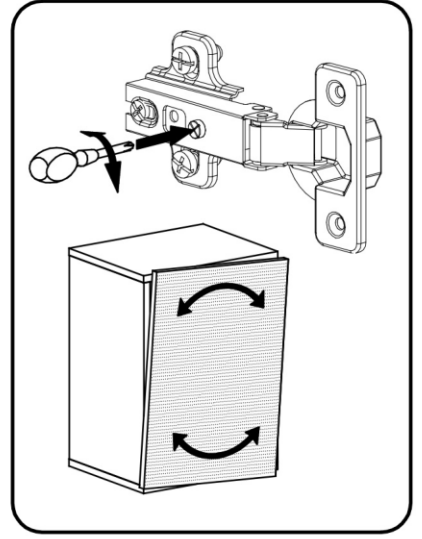
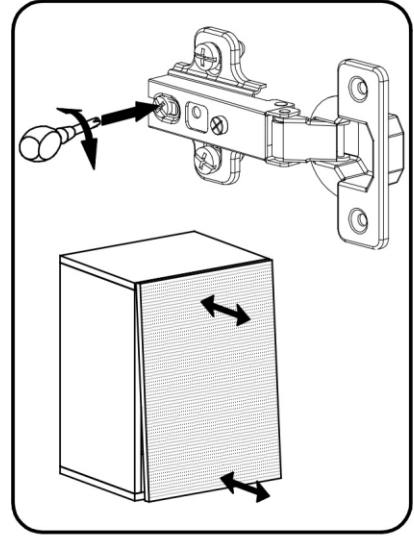
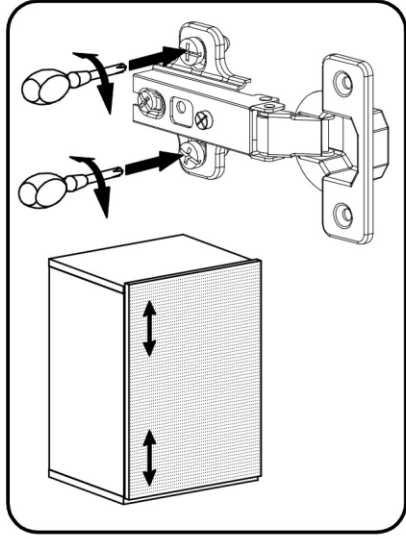
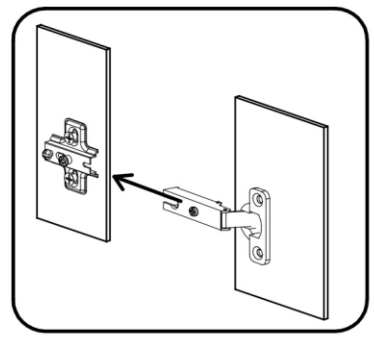
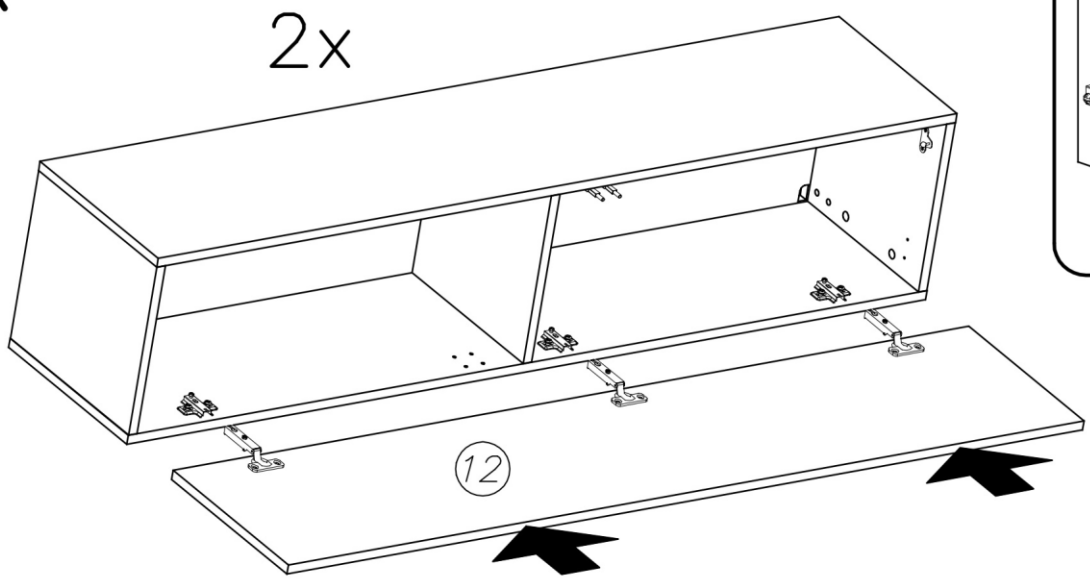




IX

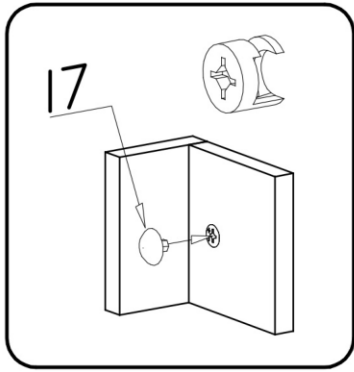


X

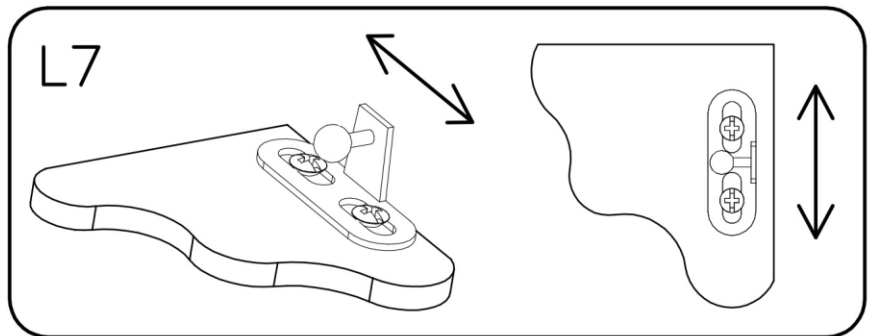
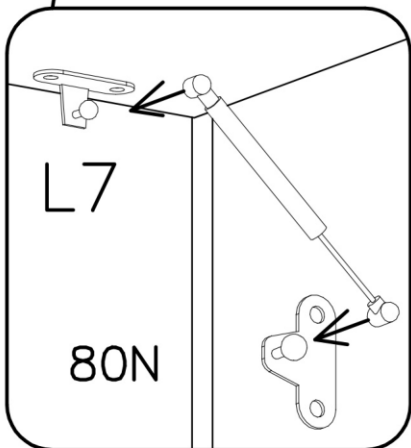
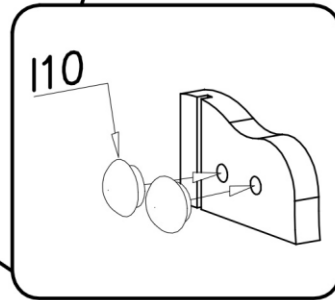
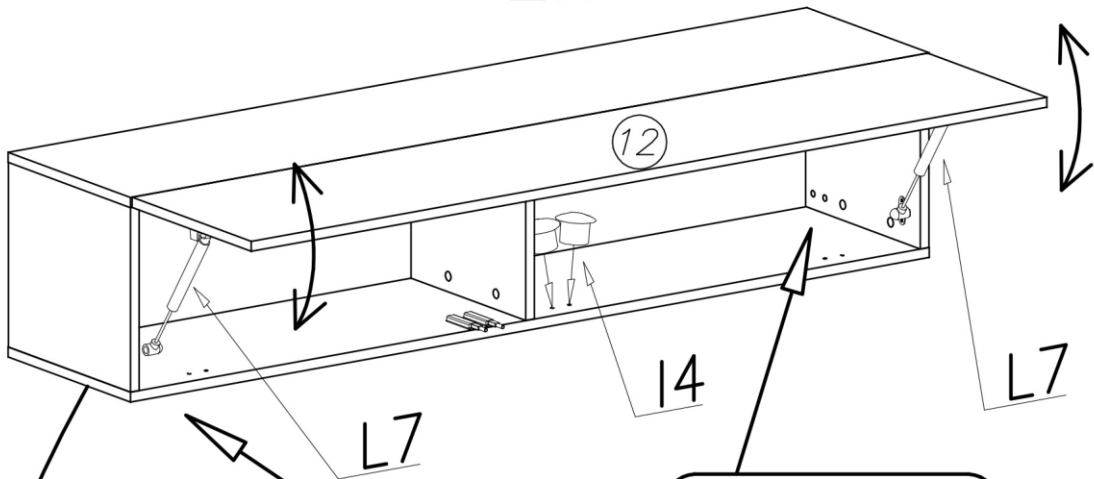


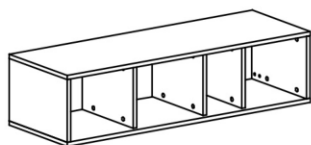
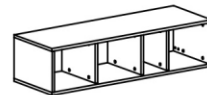


XI

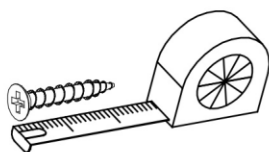
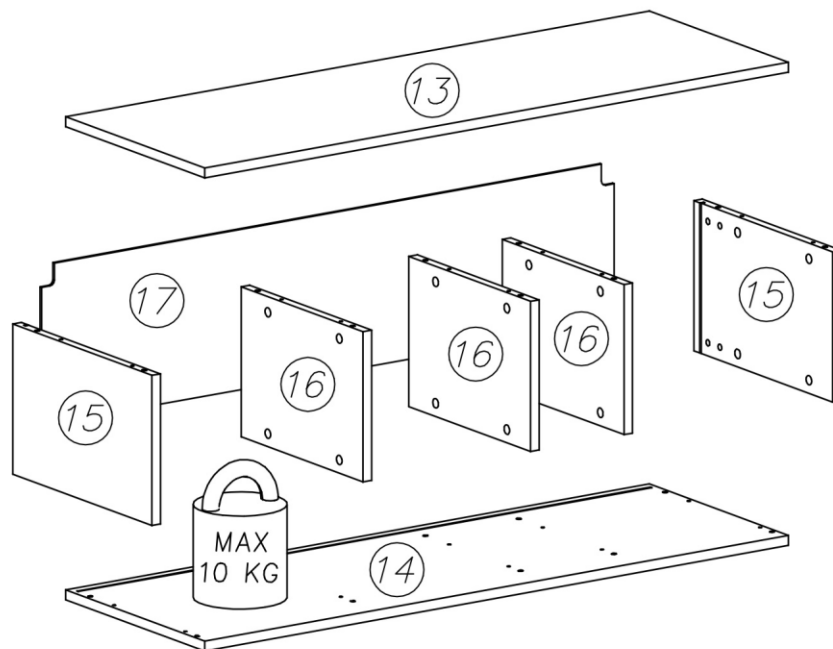


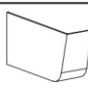
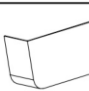
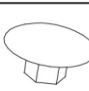

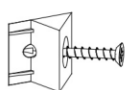


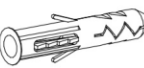
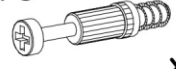




2x

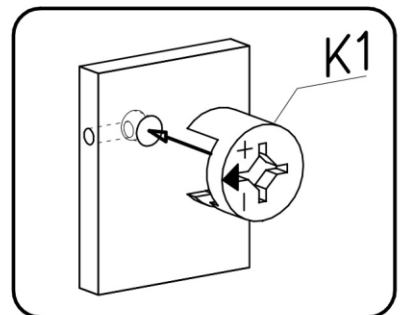
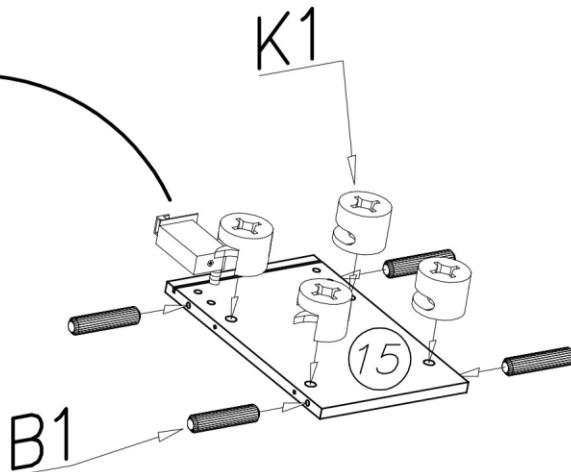
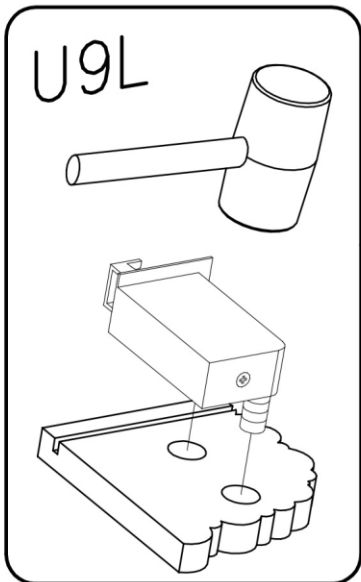
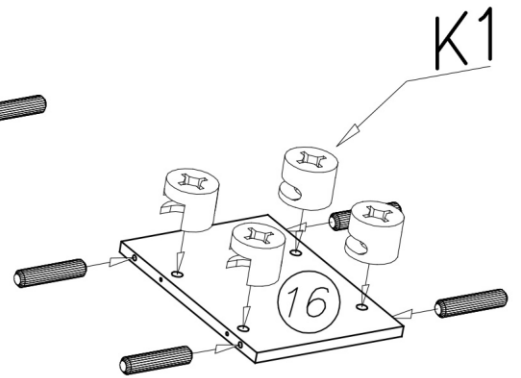
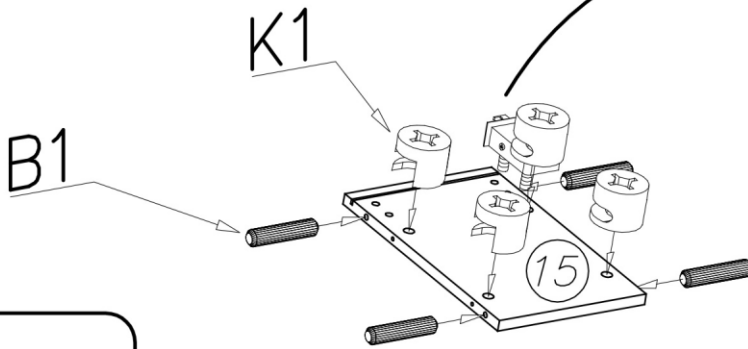
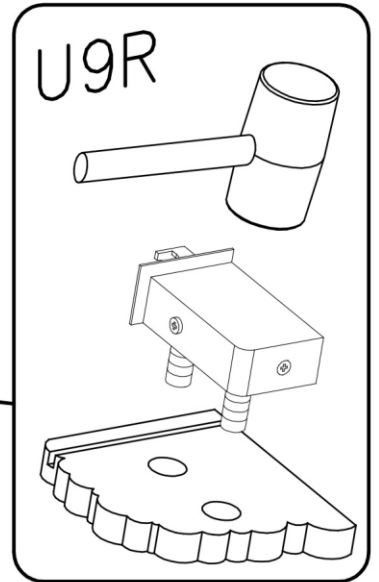
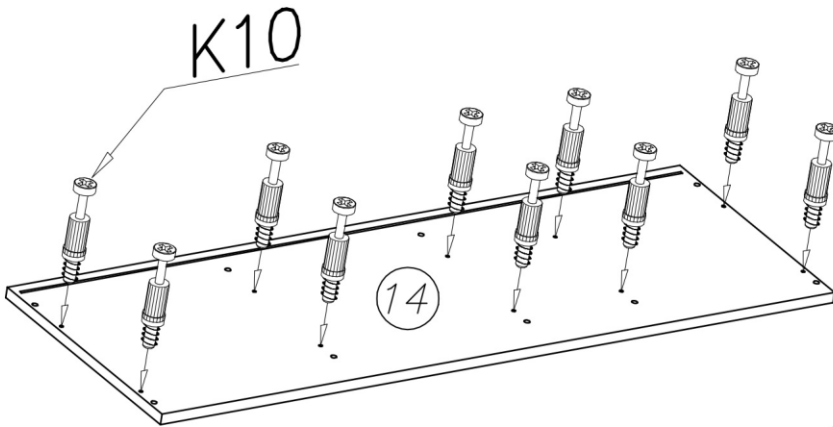
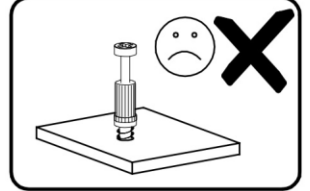
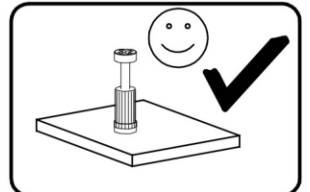
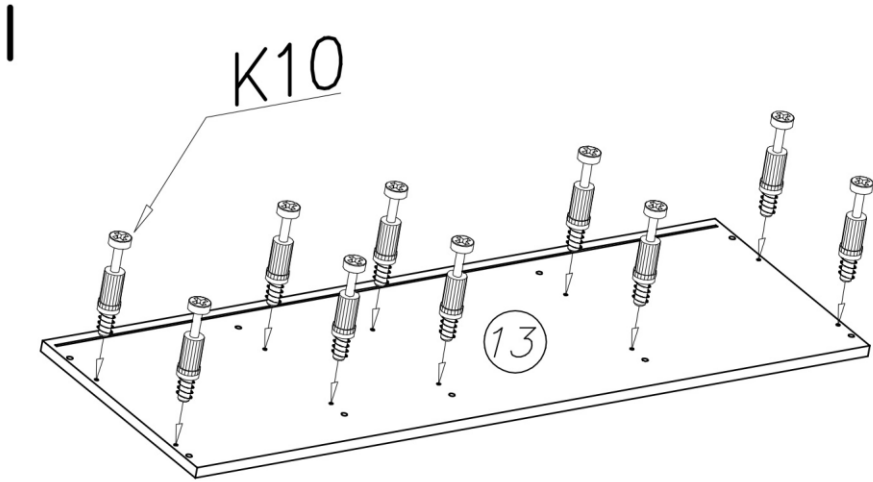
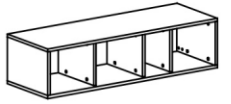


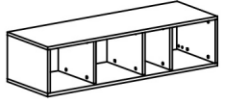


nr	L[mm]	B[mm]	T[mm]	Menge	Coll
13	1100	376	16	1	4/4
14	1100	376	16	1	4/4
15	244	376	16	2	4/4
16	244	328	16	3	4/4
17	1079	256	3	1	4/4

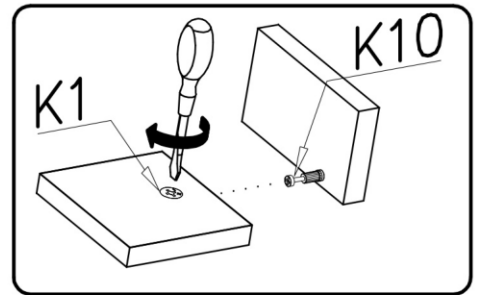
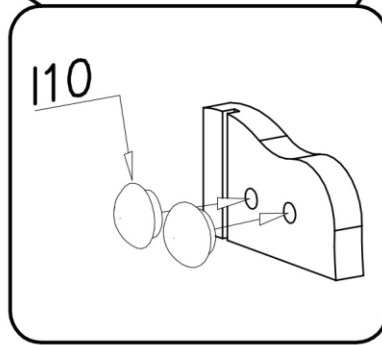
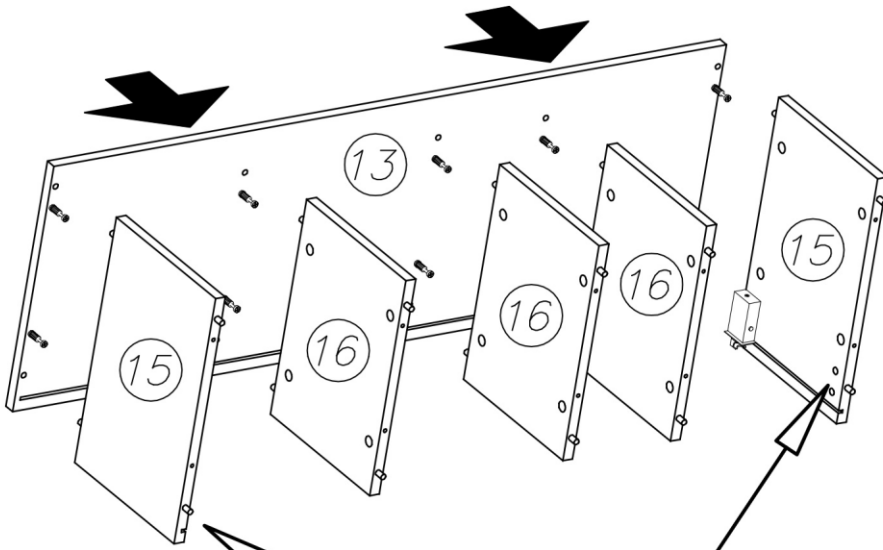


U10R  x1	U10L  x1	I7  ø18 x20			
K1  ø15x12 x20	I1  x8	I10  ø10 x4	U7  x2	U8  ø10x60 x2	
K10  x20	B1  ø8x35 x20	G34  3,5x16 x6	U9L  x1	U9R  x1	

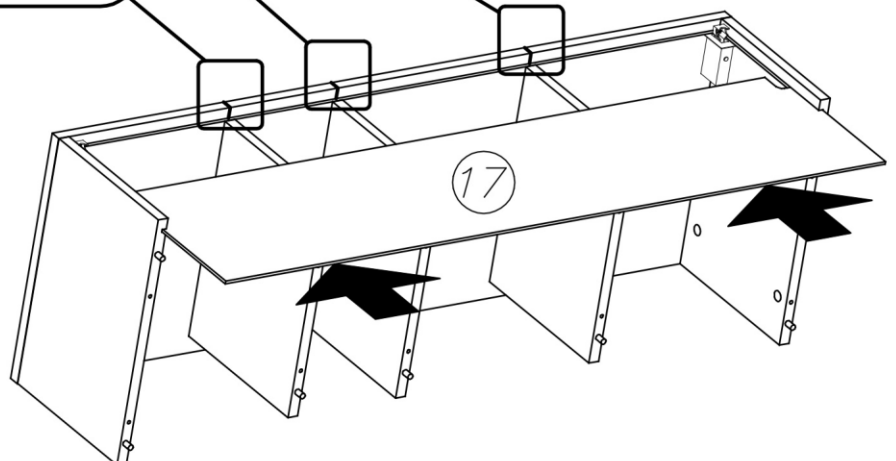
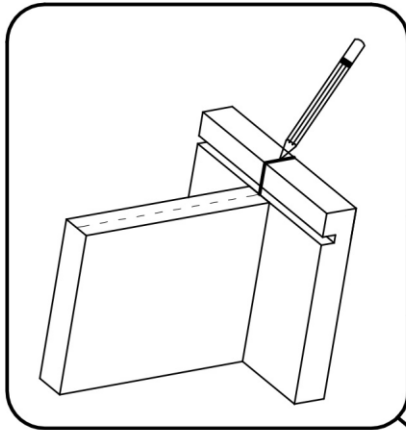


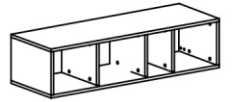


II

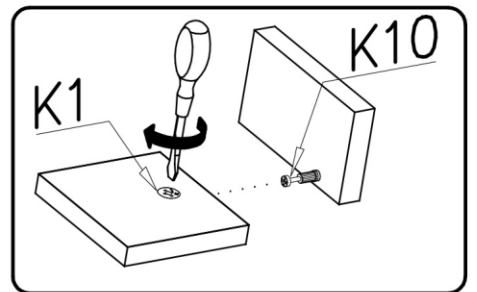
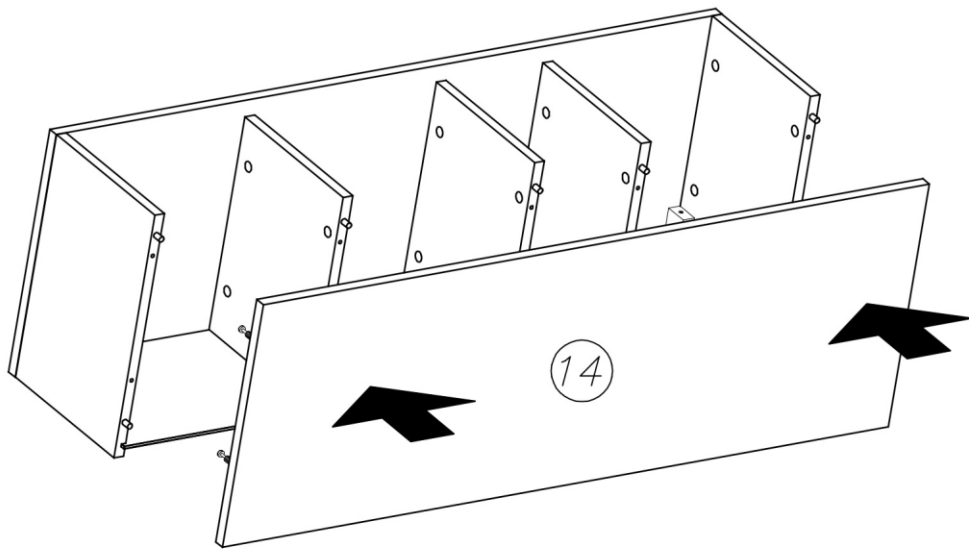


III

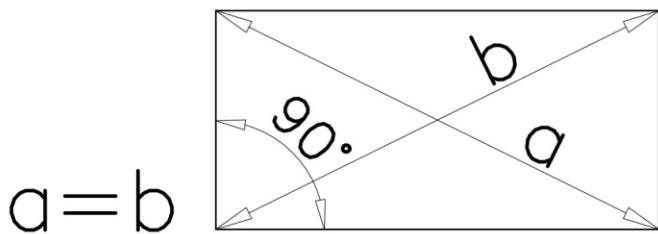
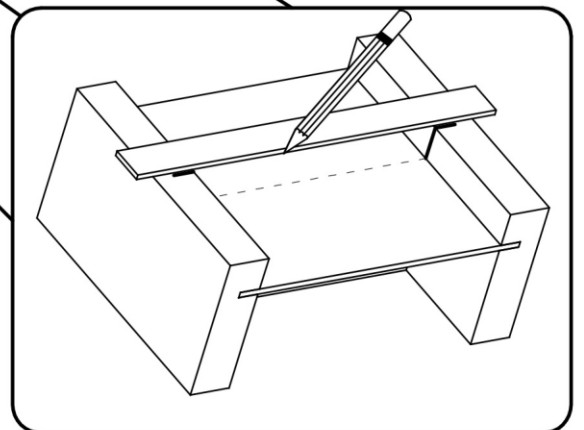
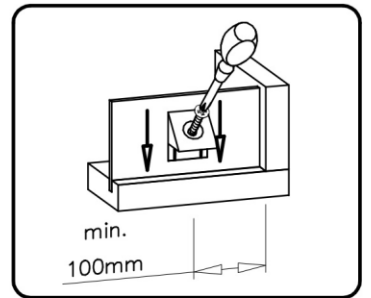
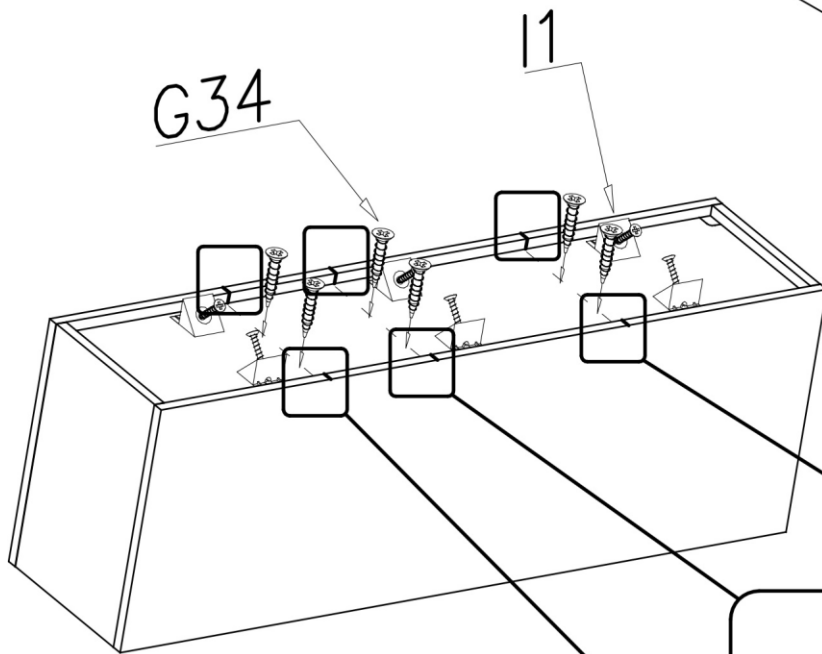


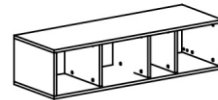


IV

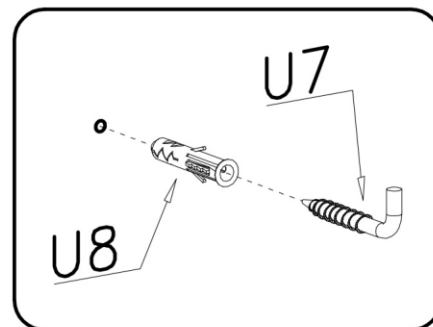
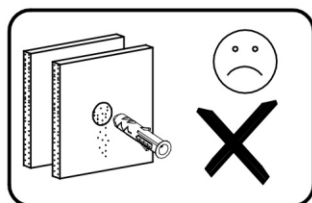
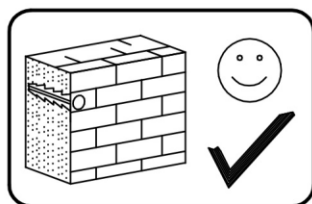
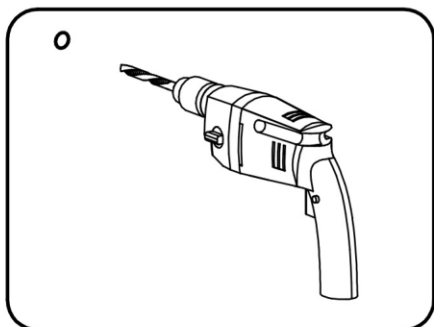
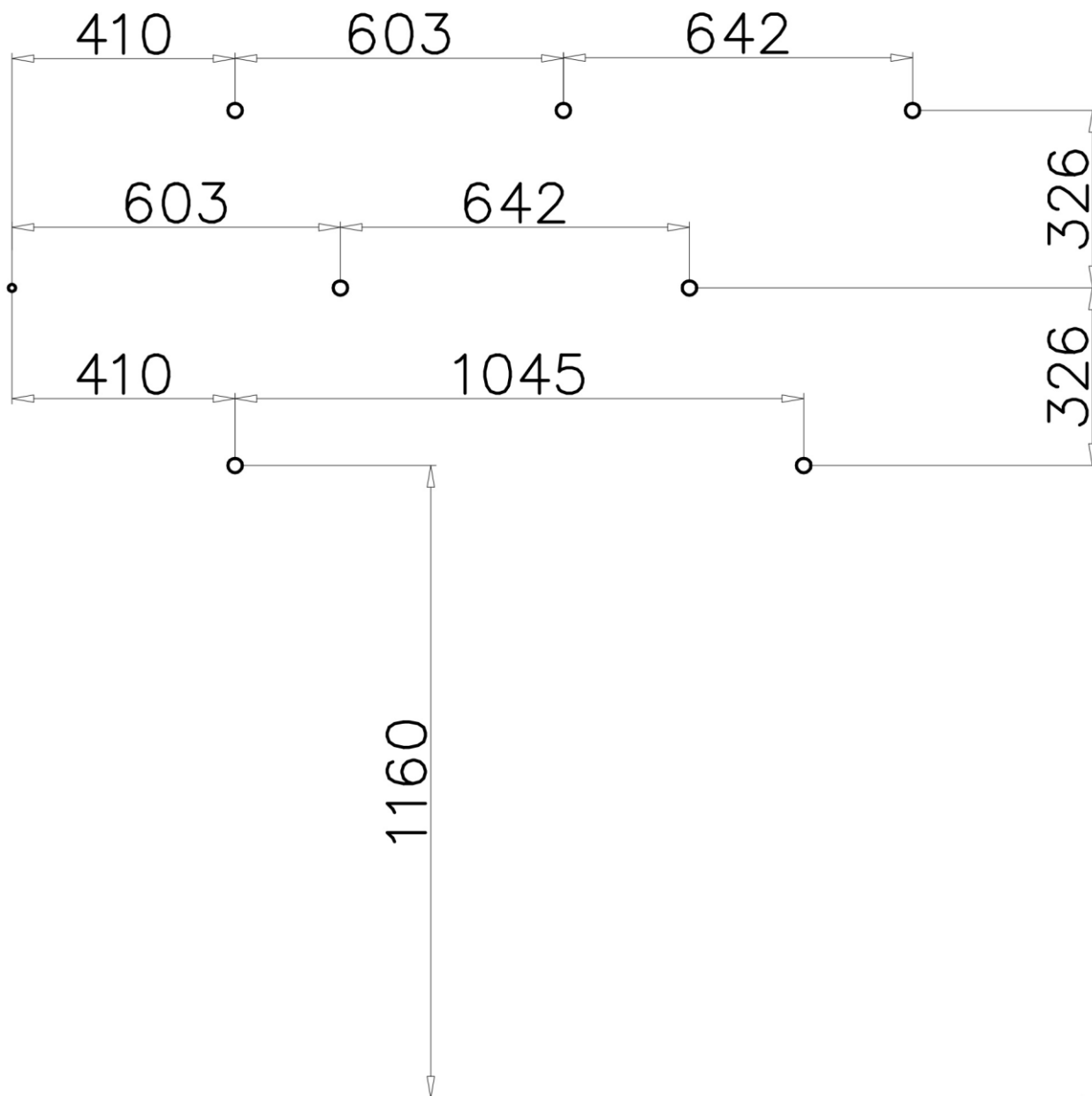


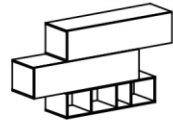
V





VI





VII

